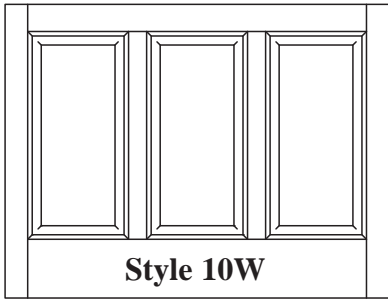


# Wood Wainscot

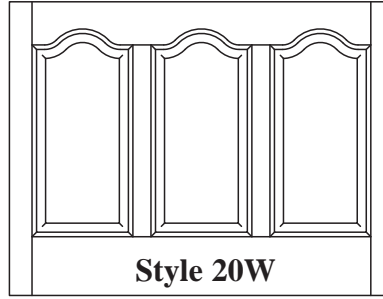
*"Use our design options to create unique looks."*

Stile & Rail widths for WalzCraft Wainscot, must be specified. Please include the size of your stile & rail profile and outside edge profile in this calculation. (See our *Web Site* for these dimensions.) **We do not offer a standard size for your construction.** These examples reflect 3" stiles with 6" bottom rails. The top rails are all 3" except Styles 20W and 2000W, which are 3" at the narrowest point.



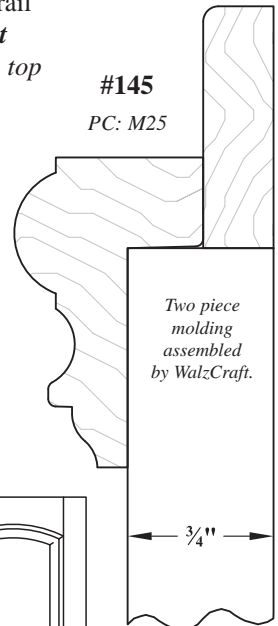
**Style 10W**

Price Class: WC101

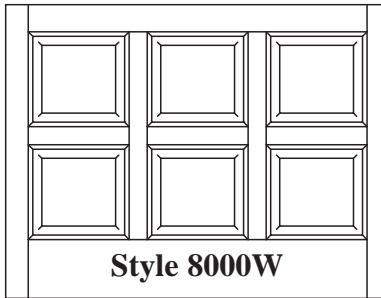


**Style 20W**

Price Class: WC102

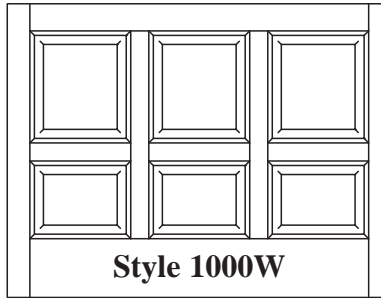


**End View**  
3/4" Thick  
Wainscot



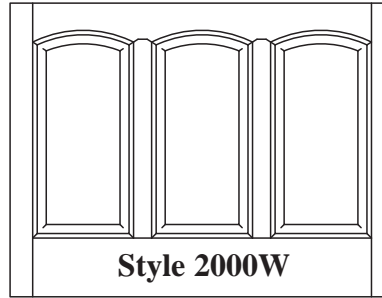
**Style 8000W**

Price Class: WC103



**Style 1000W**

Price Class: WC103

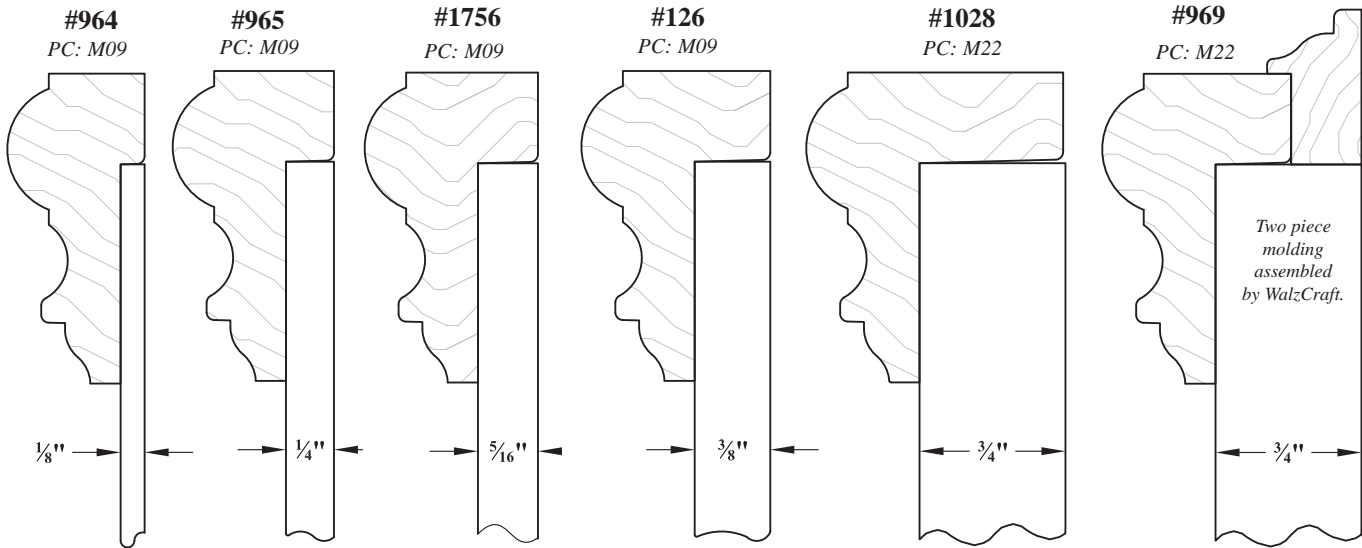


**Style 2000W**

Price Class: WC102

## Wainscot Cap Molding

*The addition of a Wainscot Cap Molding, provides a finished look to your wainscot panel.*  
*Drawings are to scale, please see our Specification Catalog for pricing.*



**End View**  
1/8" Thick  
Plywood

**End View**  
1/4" Thick  
Plywood

**End View 5/16"**  
Tongue & Groove  
Wainscot

**End View 3/8"**  
Tongue & Groove  
Wainscot

**End View**  
3/4" Thick  
Wainscot

**End View**  
3/4" Thick  
Wainscot



WalzCraft.com



(Phone) 1-800-237-1326 7:00AM - 4:30PM CST (24 Hour Fax) 1-608-781-3667

# Wood Wainscot

## Wood Wainscot & Oversized Door Notes

### **Wainscot Door Notes**

- A) Wainscots using a standard door style construction are priced by the square foot. Use the square foot price of the door style that matches your wainscot and add the upcharge per square foot for raised panel and veneered flat panel doors.. If your order has unusual pieces, please call our Customer Support Team to see whether your project falls under our standard pricing system or if it needs to have a custom quotation done by one of our Non-Catalog Team Specialists.
- B) Any door over 12 square feet is priced as a wainscot.
- C) WalzCraft does not expect the backs of wainscots to be exposed. For that reason, any defects like knots, mineral stains or cross grain sanding marks are considered acceptable on the back of a wainscot. **Please let us know if your wainscot will have an exposed back.**
- D) Wainscot pricing includes non-standard part costs.
- E) Wainscot parts wider than 6" may be edge glued.
- F) To price a wainscot constructed as a "frame only", use the existing door style frame group pricing. Add the additional upcharge per square foot for each additional center stile or center rail. Frame only wainscots also have a design charge adder per square foot. See our "Master" Specification Catalog for pricing.
- G) Wainscots up to 144" will be constructed in one piece unless a split is specified. Due to material availability, the stiles and rails of certain wood species may have to be finger-jointed to achieve the desired length. If finger-jointing is an issue, you will need to work with our Non-Catalog Team on the options available to accommodate your request.
- H) All wainscots greater than 60"x120" will come standard with a D7 outside edge.
- I) Wainscot panels with center stiles splitting the rails will be constructed with removable splints due to shipping and handling purposes. Additional charges apply.

### **WalzCraft Custom Wainscot Information**

**Prices and Lead Times will vary, based on the complexity of the project.** *Wainscot are assembled by hand with great attention to detail. We are also able to fabricate odd shaped wainscot for stairways or other applications. We reserve the right to decline requests for quotations or orders, based on our capabilities and / or current capacities.*



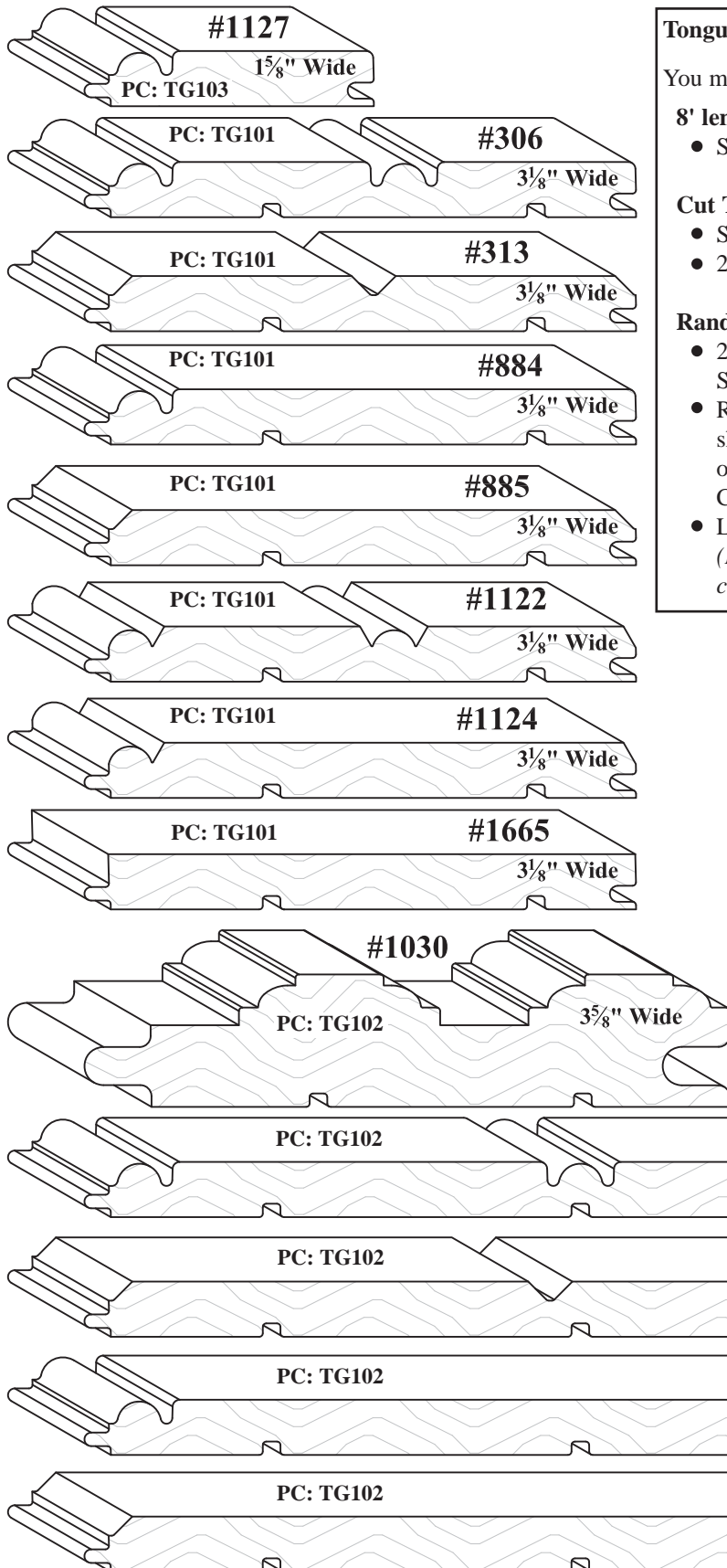
WalzCraft<sup>®</sup>.com



(Phone) 1-800-237-1326 7:00AM - 4:30PM CST (24 Hour Fax) 1-608-781-3667

# Tongue & Groove Wainscot

*"24 Hour Fax! 1-608-781-3667"*



## Tongue & Groove Wainscot Moldings are drawn to scale.

You may order Tongue & Groove Wainscot in three ways:

### 8' lengths

- Specify the number of pieces required.

### Cut To Length

- Specify length & number of pieces.
- 2 lineal foot minimum for pricing.

### Random Length

- 200 lineal foot minimum of the same molding, Wood Specie and Grade.
- Random lengths will range from 36" to 96" for orders shipping via Small Package Carrier, or 36" to 144" for orders being Picked Up or shipped via Common Carrier.
- Lengths greater than 96" are subject to availability. *(Please note that the choice of Wood Species and Grade can impact the availability of lengths greater than 96".)*

### Finishing charge is based on square footage.

#### 1 1/2" T&G

8' Length = 1.08 Square Feet  
1 Lineal Foot = .15 Square Feet

#### 3" T&G

8' Length = 2.08 Square Feet  
1 Lineal Foot = .26 Square Feet

#### 3 1/2" T&G

8' Length = 2.42 Square Feet  
1 Lineal Foot = .30 Square Feet

#### 5" T&G

8' Length = 3.42 Square Feet  
1 Lineal Foot = .48 Square Feet



WalzCraft<sup>®</sup>.com



(Phone) 1-800-237-1326 7:00AM - 4:30PM CST (24 Hour Fax) 1-608-781-3667