

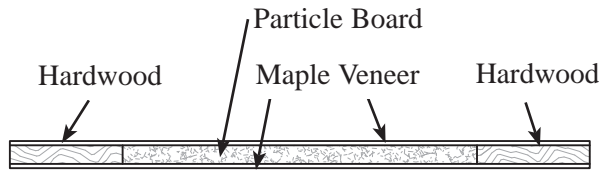
Bread Boards

"The best warranty in the industry!"

Stock Veneered Maple Bread Boards - $\frac{3}{4}$ " Thick

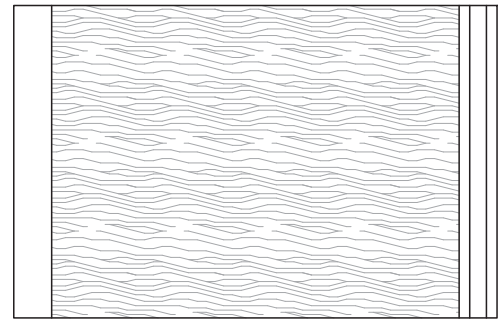
Veneered Maple bread boards measure $23\frac{1}{2}$ " front to back and are available in the standard stock widths shown on the chart below. If you are unable to obtain the size you require, we suggest that you order a Custom Solid Hard Maple Bread Board which is made to your size specifications as shown below.

- Bread boards feature a particle board core that is edgebanded on the sides with solid hard wood strips and covered on both faces with maple veneer.
- Every bread board has a $1\frac{3}{4}$ " wide maple end and a $1\frac{3}{4}$ " oak end, each with an integral fingergrip.
- Bread boards are trimable by 1" per side in the width dimension.
- Stain, SolidTone and Glaze are available, but limited to the ends; both ends are finished the same.
- Pricing for bread board ends can be found by referencing the Finishing charts in our Specification Catalog. Use **2 square feet** to calculate the finishing charge.
- The balance of the bread board is treated with mineral oil.
- ***Bread boards are not dishwasher friendly and are not warranted against water damage.***

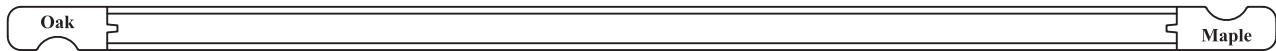


Section Drawing
(Thru the width)

This bread board can be reduced in width by up to 1" on each side.



Style 901

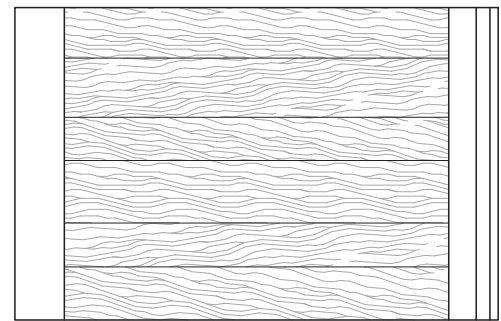


Custom Solid Hard Maple Bread Boards - $\frac{3}{4}$ " Thick

★ **Select Maple, Natural Maple and Budget Grade Maple: Priced per Square Foot.** ★

Our Custom Solid Hard Maple Bread Boards can be built to your size specifications. Select, Natural and Budget grades are defined under Wood Species Descriptions near the back of the catalog. **Custom Solid Hard Maple Bread Boards are not warranted against cracking and splitting.**

- Each end is $2\frac{1}{8}$ " wide, feature integral fingergrips and can be custom made to match the wood species of your kitchen.
- Stain, SolidTone & Glaze are available, but limited to the ends; both ends are finished the same. The balance of the bread board is unfinished and should be treated with mineral oil by the customer.
- Pricing for bread board ends can be found by referencing the Finishing charts in our Specification Catalog. Use **2 square feet** to calculate the finishing charge.
- Custom Bread Boards have a **1 square foot minimum** per piece for pricing.
- ***Bread boards are not dishwasher friendly and are not warranted against water damage.***



Style 166



WalzCraft[®].com



(Phone) 1-800-237-1326 7:00AM - 4:30PM CST (24 Hour Fax) 1-608-781-3667

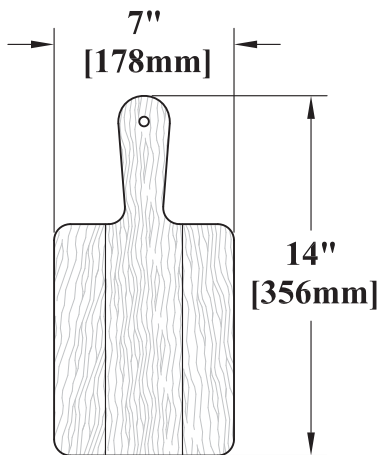
Cutting Boards & Butcher Blocks

"Laser Engrave your Business Logo on these Cutting Boards and Personalize Your Sale!"

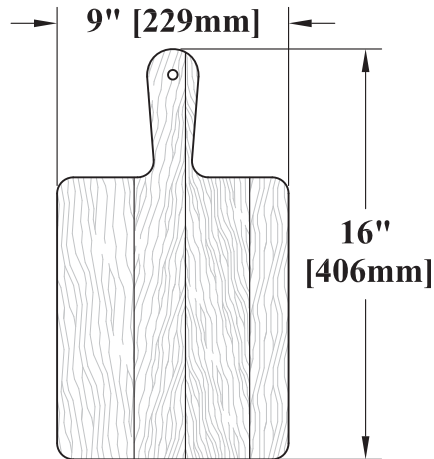
Cutting Boards

Cutting boards with handles can be ordered in all wood species. They are only available in a $\frac{5}{8}$ " thickness and in the 3 sizes shown below.

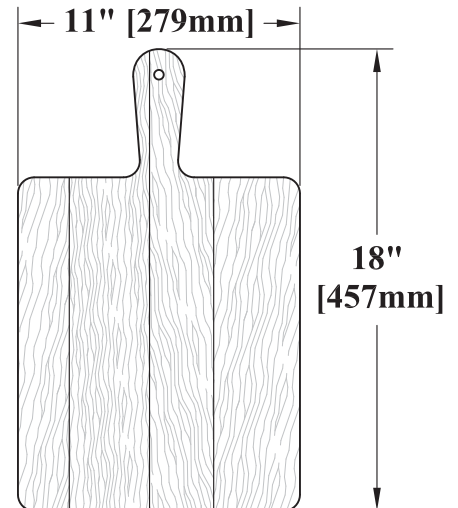
Personalize them with Laser Engraving for a keepsake or add your Business Logo for advertising.



Style 1115
PC: CB100



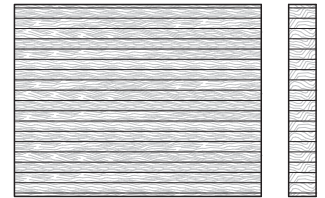
Style 1118
PC: CB200



Style 1119
PC: CB300

Butcher Blocks

- **Butcher Blocks** are constructed with $\frac{3}{4}$ "W x 2"H solid staves.
- Staves are face glued.
- Available in custom sizes up to 96".
- **D7** Outside Edge only.
- Available in Cherry, Maple and Red Oak.



WalzCraft[®].com



(Phone) 1-800-237-1326 7:00AM - 4:30PM CST (24 Hour Fax) 1-608-781-3667