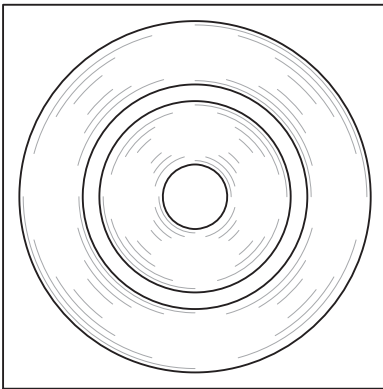


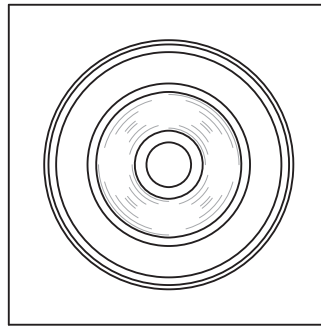
Rosette & Plinth Blocks

"WalzCraft can Finish & Glaze most products!"

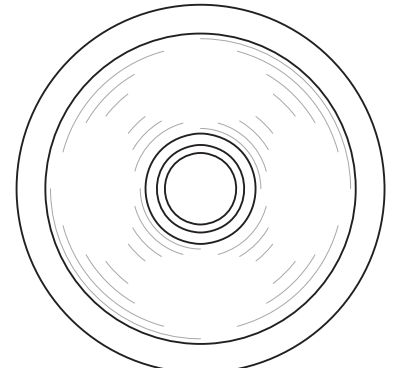
- **Rosette Blocks** are available in $\frac{3}{4}$ ", 1" & $1\frac{1}{4}$ " thicknesses and are priced by the square foot.
- There is a flat charge for the Pattern that is routed into the face. See our Specification Catalog for pricing.
- **Part #1141** will have a $\frac{1}{2}$ " flute pattern. Flute depth is half of the flute width. There is a 3" x 3" minimum size for routing. (*Choose Round or Square Flutes when ordering.*)
- **Part #1929** is a set pattern and pattern size. The pattern size is $1\frac{15}{16}$ " x $1\frac{15}{16}$ ". This can be routed on a minimum $2\frac{1}{2}$ " x $2\frac{1}{2}$ " block.
- **Part #1930** is routed as a circle with a set pattern and pattern size. The pattern size is $2\frac{7}{8}$ " x $2\frac{7}{8}$ ". This can be attached as is or added to a minimum 3" x 3" square block.
- Each Rosette Block carries a $\frac{1}{2}$ **square foot minimum** per item for pricing.
- Cross-sectional views are not shown to scale.



Part # 1141
Drawn at 3" x 3"



Part # 1929
Drawn at $2\frac{1}{2}$ " x $2\frac{1}{2}$ "



Part # 1930
Drawn at $2\frac{7}{8}$ " x $2\frac{7}{8}$ "



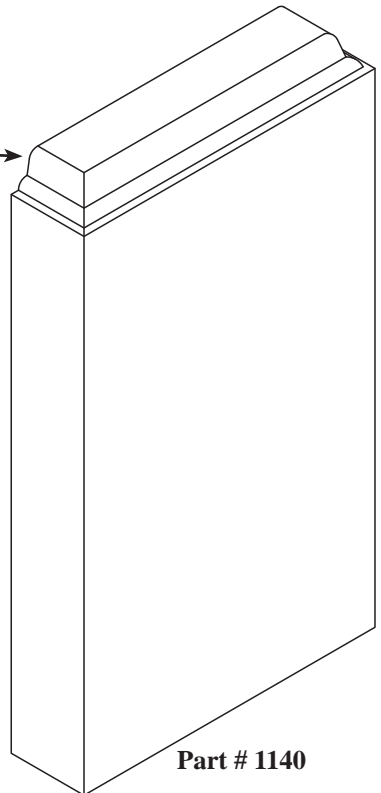
Round Flute
FMFR100



Square Flute
FMFR200

- **Plinth Blocks** are available in $\frac{3}{4}$ ", 1" & $1\frac{1}{4}$ " thicknesses and are priced by the square foot.
- There is a flat charge for the Decorative Edge that may be routed on the top of each Plinth Block. See our Specification Catalog for pricing.
- Use **Part #1140** when ordering.
- Plinth Blocks have a minimum 3"x3" size for construction.
- Each Plinth Block carries a $\frac{1}{2}$ **square foot minimum** per item for pricing.

Shown with a D30 edge.



Part # 1140

Customize your Plinth Blocks by using an optional outside edge. Examples shown below.



D2



D12



D17



D24



WalzCraft[®].com



(Phone) 1-800-237-1326 7:00AM - 4:30PM CST (24 Hour Fax) 1-608-781-3667