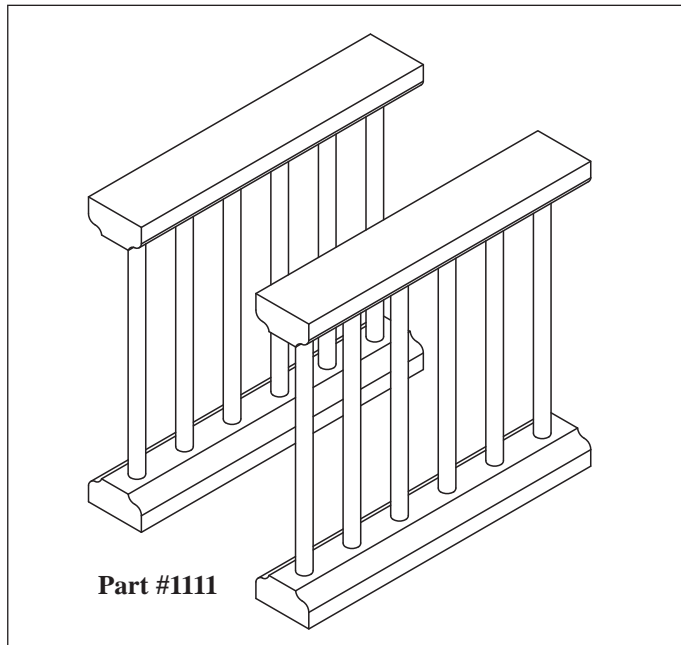


Plate Display

*"WalzCraft is a Premier Leader in the Industry
for Manufacturing Custom Products!"*

WalzCraft offers an assembled plate display in all of the wood species and grades shown. Plate display is sold by the square foot and you may order it made to the exact size that your project requires. The drawing below shows 2 sections of assembled plate display. **In use, there is a front section and a back section so you must order two pieces.** Attachment to your cabinetry can be accomplished by attaching the top and bottom rails to the cabinet structure.

- The spindles are molding **#985** and are $\frac{3}{8}$ " diameter, spaced at 2" on center.
- The top and bottom are molding **#980**.
- The minimum size for pricing is **1 square foot** per piece, using *price class PD100*.
- To calculate prefinishing charges, determine the square footage of your Plate Display by using the outside dimensions and the multiplier for the 2 sided finishing price.



Assembled Plate Display
Minimum size is 9" x 9"

