

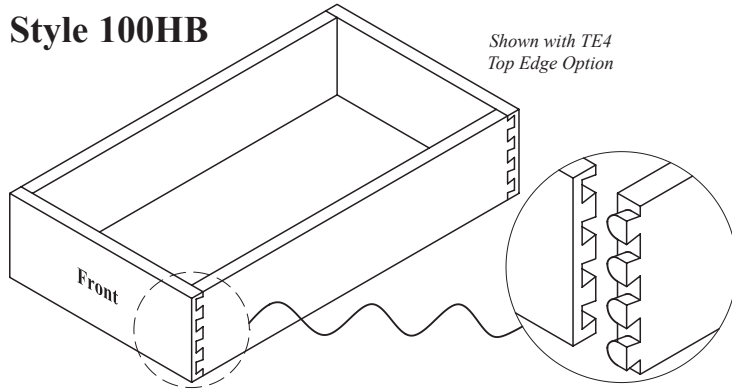
# Drawer Boxes



99.9% American Made

## Dovetailed Drawer Boxes

### Style 100HB



Shown with TE4  
Top Edge Option



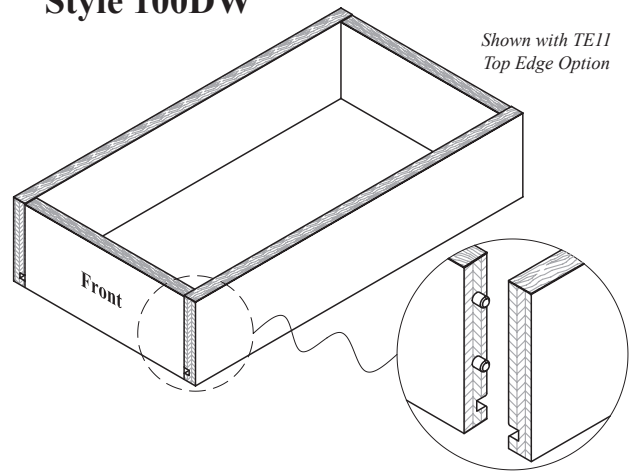
Half Blind Dovetail

## Doweled Drawer Boxes - Plywood w/Veneer Core or MDF Core

Square Foot Prices		1/2" Side-walls	5/8" Side-walls	3/4" Side-walls
<b>BIRCH</b>	MDF Core - RC	Budget / Value Grade		
		Natural / Standard Grade		
	Veneer Core - RC	Budget / Value Grade		
		Natural / Standard Grade		
	White - MDF Core - RC	Select / Premium Grade		
	White - Veneer Core - RC	Select / Premium Grade		
<b>CHERRY</b>	MDF Core - PS	Budget / Value Grade		
		Natural / Standard Grade		
	No Sap - MDF Core - PS	Natural / Standard Grade		
	No Sap - Veneer Core - PS	Natural / Standard Grade		
	Veneer Core - PS	Budget / Value Grade		
		Natural / Standard Grade		
		Select / Premium Grade		
<b>MAPLE</b>	Hard - MDF Core - RC	Budget / Value Grade		
		Natural / Standard Grade		
	Hard - Veneer Core - RC	Select / Premium Grade		
<b>OAK</b>	Red - MDF Core - PS	Budget / Value Grade		
		Natural / Standard Grade		
		Select / Premium Grade		
	Red - MDF Core - RC	Budget / Value Grade		
		Natural / Standard Grade		
		Select / Premium Grade		
	Red - Veneer Core - PS	Budget / Value Grade		
		Natural / Standard Grade		
		Select / Premium Grade		
	Red - Veneer Core - RC	Budget / Value Grade		
		Natural / Standard Grade		
		Select / Premium Grade		
<b>PLYWOOD</b>	Baltic Birch - Veneer Core	Mill Grade		
<b>All Other Wood Species</b>				

Contact WalzCraft  
"Customer Support"  
for pricing or  
complete our  
[Catalog Request Form](#)  
to receive our latest  
"Master" Product Specifications  
& Wholesale Pricing Catalog.

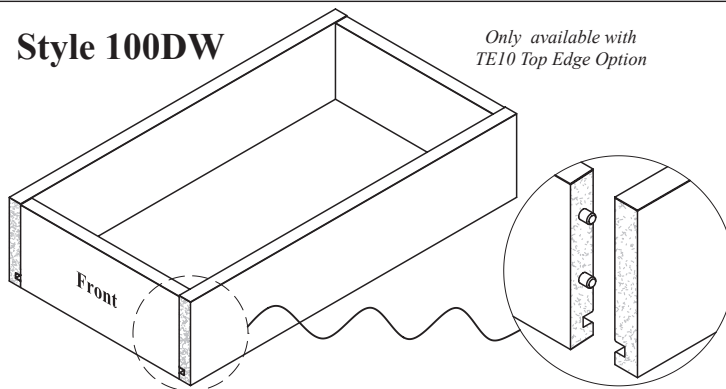
### Style 100DW



Shown with TE11  
Top Edge Option

## Doweled Drawer Boxes - Melamine w/Particle Board Core

### Style 100DW



Only available with  
TE10 Top Edge Option

Square Foot Prices		1/2" Side-walls	5/8" Side-walls	3/4" Side-walls
<b>MELAMINE</b>		White		
	NAUF - 1/2" Only	White		
		Almond		
	NAUF - 1/2" Only	Almond		
		Maple		
	NAUF - 1/2" Only	Maple		

Contact WalzCraft  
"Customer Support"  
or complete our  
[Catalog Request Form.](#)

**NAUF (No Added Urea Formaldehyde):** Particle board material which is specified as "green". This material is an environmentally preferable product (EPP) and is certified to be 100% recycled wood fiber particleboard and has no added urea formaldehyde added during the manufacturing process.



WalzCraft®



(Phone 7:00AM - 4:30PM CST) 1-800-237-1326

(24 Hour Fax) 1-608-781-3667

# Drawer Boxes

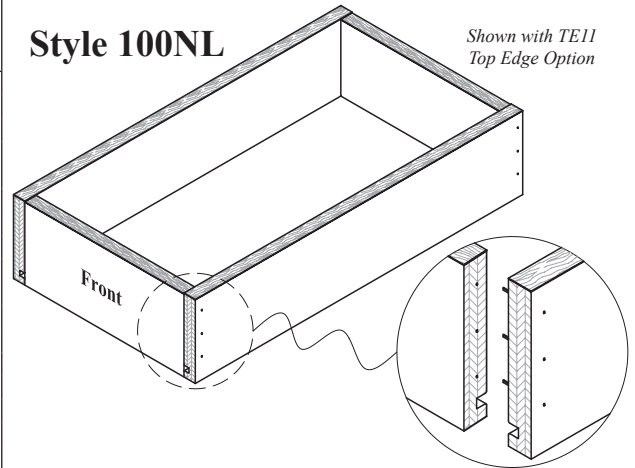
*"America's Finest Cabinet Door Maker!"*

## Nailed Drawer Boxes - Plywood w/Veneer Core

Square Foot Prices			1/2" Side-walls	5/8" Side-walls	3/4" Side-walls
BIRCH	Veneer Core - RC	Budget / Value Grade	Contact WalzCraft "Customer Support" or complete our <a href="#">Catalog Request Form.</a>		
		Natural / Standard Grade			
CHERRY	Veneer Core - PS	White - Veneer Core - RC			
		No Sap - Veneer Core - PS			
		Budget / Value Grade			
MAPLE	Hard - Veneer Core- RC	Natural / Standard Grade			
		Select / Premium Grade			
		Budget / Value Grade			
OAK	Red - Veneer Core - PS	Natural / Standard Grade			
		Select / Premium Grade			
	Red - Veneer Core - RC	Budget / Value Grade			
		Natural / Standard Grade			
PLYWOOD	Baltic Birch - Veneer Core	Mill Grade			
All Other Wood Species					

### Style 100NL

*Shown with TE11 Top Edge Option*



## Drawer Box Option Availability

Options:	Drawer Box Materials				
	Solid Wood	Baltic Birch Plywood	Veneer Core Plywood	MDF Core Plywood	Melamine
Half Blind Dovetail Joint - Style #100HB	Yes	Yes	No	No	No
Full/Through Dovetail Joint - Style #100FT	Yes	No	No	No	No
French Dovetail Joint - Style #100FR	Yes	Yes	No	No	No
Doweled - Style #100DW	No	Yes	Yes	Yes	Yes
Nailed - Style #100NL	No	Yes	Yes	No	No
Sidewall Thickness - 1/2", 5/8" & 3/4"	Yes	Yes	Yes	Yes	Yes
Scoop	Yes	Yes <sup>1</sup>	No	No	No
Ears	Yes	Yes <sup>5</sup>	Yes <sup>5</sup>	Yes <sup>5</sup>	Yes
Ready To Assemble (RTA)	Yes	Yes	Yes <sup>6</sup>	Yes <sup>6</sup>	Yes
Top Edge	Yes <sup>2</sup>	Yes <sup>3</sup>	TE2, TE4, TE11 only	TE2, TE4, TE11 only	TE10 only
Integral Drawer Front	Yes	No	No	No	No
Bottom Panel Insets	Yes	Yes	Yes	Yes	Yes
Notching and Notch & Hook Hole Combination	Yes	Yes	Yes	Yes	Yes
Release Clips	Yes	Yes	Yes	Yes	Yes
Hanging File Slot	Yes	Yes <sup>4</sup>	Yes	Yes	Yes
Accented Top Edge	Yes	No	Yes	Yes	No
Side Patterns	Yes	Yes <sup>1</sup>	No	No	No
Box Patterns	Yes	Yes	Yes	Yes	Yes
Laser Engraving	Yes	No	No	Yes	No

Notes relating to numbers referenced in "Drawer Box Option Availability" chart listed above:

<sup>1</sup> = Not available with edgebanding (TE11).

<sup>2</sup> = TE10 & TE11 are not available.

<sup>3</sup> = TE10 is not available.

<sup>4</sup> = Only available with the TE11 Top Edge.

<sup>5</sup> = Not an option if ordering Nailed Construction.

<sup>6</sup> = Depending on your construction method, dowels are included, nails are not. We recommend using 1/4" finish nails when assembling.



WalzCraft®



(Phone 7:00AM - 4:30PM CST) 1-800-237-1326

(24 Hour Fax) 1-608-781-3667

# Drawer Boxes



99.9% American Made

Dovetail Drawer Box Sidewall Square Foot Pricing		1/2" or 5/8"	3/4"
AFRORMOSIA		Budget / Value Grade Natural / Standard Grade Select / Premium Grade	
ALDER		Budget / Value Grade Natural / Standard Grade Rustic Grade Select / Premium Grade	
ASH		Budget / Value Grade Natural / Standard Grade	
ASH	Brown	Select / Premium Grade	
	White	Select / Premium Grade	
BAMBOO	Blond	Vertical Grain	
	Caramelized	Vertical Grain	
BEECH	European Steamed	Budget / Value Grade Natural / Standard Grade Select / Premium Grade Mixed Grade	
BIRCH		Natural / Standard Grade Budget / Value Grade Rustic Grade	
	Red	Natural / Standard Grade Select / Premium Grade	
	White	Select / Premium Grade	
BUTTERNUT		Budget / Value Grade Natural / Standard Grade Select / Premium Grade	
	No Sap	Rustic Grade	
CHERRY		Budget / Value Grade Gummy Grade Natural / Standard Grade Rustic Grade Select / Premium Grade Ultra Rustic Grade	
	No Sap	Natural / Standard Grade Rustic Grade Ultra Rustic Grade	
	Straight Grain	Natural / Standard Grade Select / Premium Grade	
	Australian	Wormy Grade	
		Budget / Value Grade	
CYPRESS		Natural / Standard Grade	
ELM	Red	Budget / Value Grade Mill Grade	
FIR	Douglas-Straight Grain	Mill Grade	
HEMLOCK		Rustic Grade Budget / Value Grade Natural / Standard Grade Rustic Grade Ultra Rustic Grade	
HICKORY		Rustic Grade Select / Premium Grade	
	Brown	Select / Premium Grade	
	Calico	Mixed Grade	
	White	Rustic Grade Select / Premium Grade Budget / Value Grade	
JATOBA	Brazilian Cherry	Mill Grade	
LYPTUS		Budget / Value Grade Natural / Standard Grade	
MAHOAGANY	Genuine Plantation	Budget / Value Grade Natural / Standard Grade Select / Premium Grade	
	Sipo Flat Cut	Budget / Value Grade Natural / Standard Grade Select / Premium Grade	
	Sipo Quarter Sawn	Budget / Value Grade Natural / Standard Grade Select / Premium Grade Mixed Grade	
MAPLE	Hard	Natural / Standard Grade Rustic Grade Select / Premium Grade	
	Hard - Birds Eye	Natural / Standard Grade Select / Premium Grade	
	Hard - Straight Grain	Natural / Standard Grade Select / Premium Grade	
	Hard / Soft - Mixed	Budget / Value Grade Natural / Standard Grade	
	Soft	Select / Premium Grade Wormy Grade	
	Soft - Curly	Natural / Standard Grade Select / Premium Grade Budget / Value Grade	
OAK		Natural / Standard Grade Rustic Grade Select / Premium Grade Ultra Rustic Grade	
	Red	Rustic Grade Select / Premium Grade Ultra Rustic Grade	
	Red - No Sap	Rustic Grade Ultra Rustic Grade	
	Red - Quarter Sawn	Natural / Standard Grade Select / Premium Grade	
	Red - Rift Sawn (Straight Grain)	Natural / Standard Grade Select / Premium Grade	
	White	Natural / Standard Grade Select / Premium Grade	
	White - Quarter Sawn	Natural / Standard Grade Select / Premium Grade	
	White - Rift Sawn (Straight Grain)	Natural / Standard Grade Select / Premium Grade Budget / Value Grade	
PINE	White - Northern	Knotty Grade Natural / Standard Grade Select / Premium Grade	
PLYWOOD	Baltic Birch - 1/2" Thick	Mill Grade	
	Baltic Birch - 3/4" Thick	Mill Grade	
	Baltic Birch - 5/8" Thick	Mill Grade	
POPLAR		Budget / Value Grade Mixed Grade Natural / Standard Grade	
	Green	Select / Premium Grade	
	White	Select / Premium Grade	
SAPELE	Quarter Sawn	Natural / Standard Grade Select / Premium Grade	
WALNUT		Budget / Value Grade Natural / Standard Grade Rustic Grade Select / Premium Grade	
	No Sap	Natural / Standard Grade Rustic Grade	
All Other Wood Species		Please call for quote and availability.	

Contact WalzCraft "Customer Support" for pricing or complete our [Catalog Request Form](#) to receive our latest "Master" Product Specifications & Wholesale Pricing Catalog.

Drawer Box Bottom Panel Square Foot Pricing		1/4" Veneer Bottom Random Grain	
<b>"A" Grade Veneer Face, MDF Core, #4 Back Drawer Box Bottom Panels - 1/4" Thick</b>			
ALDER	PS	Natural / Standard Grade	
ASH	PS	Natural / Standard Grade	
BAMBOO	Blond	Vertical Grain	
	Caramelized	Vertical Grain	
BIRCH	RC	Budget / Value Grade Mixed Grade	
	Red - PS	Natural / Standard Grade Select / Premium Grade	
	White - RC	Select / Premium Grade	
CHERRY	No Sap - PS	Natural / Standard Grade	
	PS	Budget / Value Grade Natural / Standard Grade Select / Premium Grade	
HICKORY	Calico - PS	Mixed Grade	
	PS	Budget / Value Grade Natural / Standard Grade	
LYPTUS	PS	Budget / Value Grade Natural / Standard Grade	
MAHOAGANY	Sipo Flat Cut - PS	Natural / Standard Grade Select / Premium Grade	
MAPLE	Hard - PS	Mixed Grade Natural / Standard Grade Select / Premium Grade	
	Hard / Soft - Mixed - PS	Budget / Value Grade	
OAK	RC	Budget / Value Grade	
	Red - RC	Natural / Standard Grade Select / Premium Grade	
	White - PS	Natural / Standard Grade Select / Premium Grade	
PINE	PS	Budget / Value Grade	
PINE	White Northern - PS	Knotty Grade Natural / Standard Grade Select / Premium Grade	
	PS	Budget / Value Grade Natural / Standard Grade	
POPLAR	PS	Natural / Standard Grade	
WALNUT	No Sap - PS	Natural / Standard Grade	
	PS	Budget / Value Grade Natural / Standard Grade Select / Premium Grade	
<b>Melamine Drawer Box Bottom Panels - 1/4" Thick</b>			
MELAMINE		Almond	
	NAUF	Almond	
	NAUF	Maple	
	NAUF	Maple	
MELAMINE		White	
	NAUF	White	
	NAUF	White	
	NAUF	White	
<b>Melamine Drawer Box Bottom Panels - 1/2" Thick</b>			
MELAMINE		Almond	
	NAUF	Almond	
	NAUF	Maple	
	NAUF	Maple	
MELAMINE		White	
	NAUF	White	
	NAUF	White	
	NAUF	White	
<b>Specialty Drawer Box Bottom Panels - 1/4" Thick</b>			
<b>AROMATIC CEDAR</b>			
<b>Raw MDF Drawer Box Bottom Panels - 1/4" Thick</b>			
MDF		Raw	

Contact WalzCraft "Customer Support" or complete our [Catalog Request Form](#).

Drawer Box Bottom Panel Pricing Notes		
1)	1/4" Bottoms	For 1/4" Veneer drawer bottoms using a higher grade center panel veneer, please use the PCTS pricing for 1/4" Plywood, MDF Core A1 (page 387), and ADD \$2.00 per square foot.
2)	1/2" Bottoms	For 1/2" thick drawer bottoms with Random Grain Direction, use the published square foot price and multiply by 2. For 1/2" Veneer drawer bottoms using a higher grade center panel veneer, use the PCTS pricing for 1/4" plywood, MDF Core A1 (page 387), multiply by 2, and ADD \$2.00 per square foot.
3)	Specified Grain Direction for Bottom Panels	For Specified Grain Direction on drawer bottoms, ADD \$1.00 per square foot to the total square foot price for your chosen drawer box bottom panel option.
4)	#4 Back	The #4 back may be a different wood species than the face.



WalzCraft



(Phone 7:00AM - 4:30PM CST) 1-800-237-1326

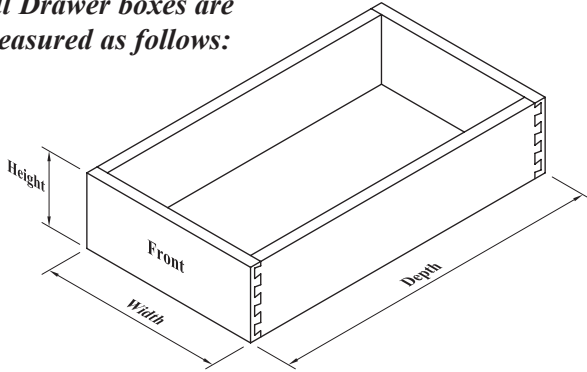
(24 Hour Fax) 1-608-781-3667

# Drawer Boxes

*"WalzCraft can fill your Custom Millwork needs!"*

## Drawer Box Method Of Measurement

All Drawer boxes are measured as follows:



## Minimum & Maximum Sizes for Assembly

- Size limitations for assembled drawer boxes.
- Drawer Boxes built between the Maximum and Absolute Maximum sizes will be subject to the **"Oversized"** Drawer Box Assembly Charge noted below, due to special handling requirements.

	Minimum	Maximum	Absolute Maximum
Width	4 <sup>3</sup> / <sub>4</sub> "	43"	60"
Depth	4 <sup>3</sup> / <sub>4</sub> "	36"	60"
Height	1 <sup>3</sup> / <sub>4</sub> "	14 <sup>1</sup> / <sub>2</sub> "	30"

★ Add: Charge per Drawer Box ★

for Oversized Drawer Boxes Assembled with Pipe Clamps

## Price Calculation for Drawer Boxes

Drawer Box Pricing is made up of two parts:

- 1) Sidewall Price
- 2) Bottom Panel Price

**Step #1)** Calculate the square footage of the **Sidewall** material using this formula:  
 $(W + D) \times 2 \times H \div 144 = \text{Square Footage}$  (**1 sq ft minimum for pricing**)  
 Multiply the square footage by the square foot price of the wood species / grade selected.

**Step #2)** Calculate the square footage of the **Bottom Panel** material using this formula:  
 $W \times D \div 144 = \text{Square Footage}$  (**No minimum for pricing**)  
 Multiply this square footage by the square foot price for the wood species / grade selected.

**Step #3)** Add the price from **Step #1** to the price from **Step #2** to determine the price of your drawer box.

**Step #4)** Add the charges for other options (ie: Scoops, Top Edges, Ears, Notching, Finishing, etc.)

**Step #5)** Add Expedite upcharge, if applicable.

**Step #6)** Add Packaging Fees, if applicable.

## Drawer Box Finishing Charges

For Finishing, add charge per drawer box.

Drawer Boxes are finished with a Water Base "Natural / Clear Coat Finish" (No Stain Applied) **Only**.

WalzCraft has used Water Base finish on drawer boxes for 2 years.

Please note that this Water Base finish is Urea Formaldehyde Free.

Add an additional charge to finish the underside of a drawer box.

## Pricing Example

Style 100HB Drawer Box, Maple - Hard/Soft Mixed - Budget/Value Grade,  
 1/4" Maple - Hard/Soft Mixed PS - Budget/Value Grade bottom panel material, Random grain direction,  
 Prefinished, TE3 Top Edge, 15 (W) x 20 (D) x 4 (H)

1. Calculate the square footage as noted in **Step #1** above:  $15 + 20 \times 2 \times 4 \div 144 = 1.944$  square feet (rounded to 1.94).  $1.94 \times \text{charge per square foot} = \text{Cost of Sidewalls}$
2. Calculate the square footage as noted in **Step #2** above:  $15 \times 20 \div 144 = 2.083$  square feet (rounded to 2.08).  $2.08 \times \text{charge per square foot} = \text{Cost of Bottom Panel}$
3. Add **1** and **2** together.
4. Add to **#3** any charges for additional options chosen.



WalzCraft®



(Phone 7:00AM - 4:30PM CST) 1-800-237-1326

(24 Hour Fax) 1-608-781-3667



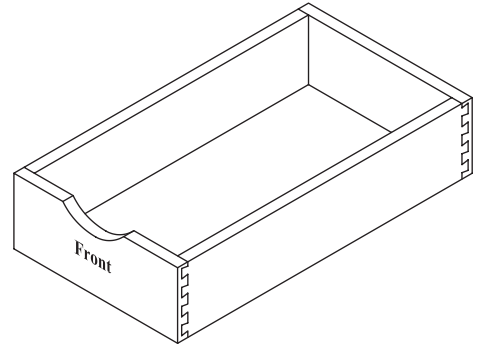
# Drawer Box Options

"Thousands of product designs!"

## Drawer Box Scoop Option

**Drawer Box Scoop** dimension is 5 $\frac{7}{8}$ "W x  $\frac{7}{8}$ "H.

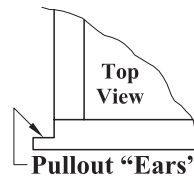
The minimum width for a drawer box with the scoop option is 7".



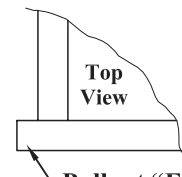
★ **Add: Charge per Scoop** ★

## Drawer Box "Ear" Option

- **Drawer Box "Ears"** extend  $\frac{7}{16}$ " past the pullout sides.
- When ordering drawer boxes with "ears", please order the box size **without** the "ear" dimension added.
- The "ear" thickness varies depending on the thickness of the sidewalls (*applies to dovetail drawer boxes only*):
  - $\frac{1}{2}$ " sides - ears are  $\frac{1}{4}$ " thick. Front of drawer box will be  $\frac{5}{8}$ " thick to allow for dovetail joint and  $\frac{1}{4}$ " thick ear.
  - $\frac{5}{8}$ " sides - ears are  $\frac{1}{4}$ " thick
  - $\frac{3}{4}$ " sides - ears are  $\frac{3}{8}$ " thick.



Dovetailed Drawer Boxes



Doweled Drawer Boxes

- Please keep in mind that if using side mount drawer slides on a drawer box with ears, the slides will have to be set back the thickness of the ear from the front of the box. Please consult drawer slide specifications for drawer box sizing and mounting information. Not compatible with under mount drawer slides.

★  $\frac{1}{2}$ " Sides - Add: Charge per Drawer Box  $\frac{5}{8}$ " and  $\frac{3}{4}$ " Sides - Add: Charge per Drawer Box ★

## Optional Integral (Built-in) Drawer Front

When speaking about a Drawer Box, an **Integral Drawer Front** means that when installed in the kitchen, the front piece of the drawer box is actually visible. Normally, a separate drawer front is attached to the front of the box. When an Integral Drawer Front is made for a Drawer Box, we use the same manufacturing guidelines that are used to produce a Drawer Front:

- A) If the Integral Drawer Front feature is selected, and the drawer box height is 6" or less, the drawer front shall be produced without a glue up. In the rare case that the species selected does not allow this, the drawer front must be carefully color and grain matched.
- B) If the Integral Drawer Front feature is selected, and the drawer box height is greater than 6", the drawer front will be produced with a glue up but the drawer front must be carefully color and grain matched.
- 6" maximum height with no glue-ups (solid). *This does not apply to Paint, Budget / Value, Rustic or Knotty Grades.*
- Wood Species and Grade must be specified for the front, this can be different from the sides and back.
- Integral Drawer Front options have a **1 Square Foot minimum** per item for pricing only.

★ **Price Calculation for Integral Drawer Front Option** ★

- 1) Price the entire box using the guidelines for calculating standard drawer box.
- 2) If the Integral Drawer Front feature is chosen, the front of the box would be priced separately using a "per square foot charge" with a **1 Square Foot minimum**. Add this charge to the price obtained in step 1.
- 3) If the Integral Drawer Front feature is chosen in a different wood species, the front of the box would also be priced separately at the published square foot price for that species with a **1 Square Foot minimum**. Add this charge to the price obtained in step 1.



WalzCraft®



(Phone 7:00AM - 4:30PM CST) 1-800-237-1326

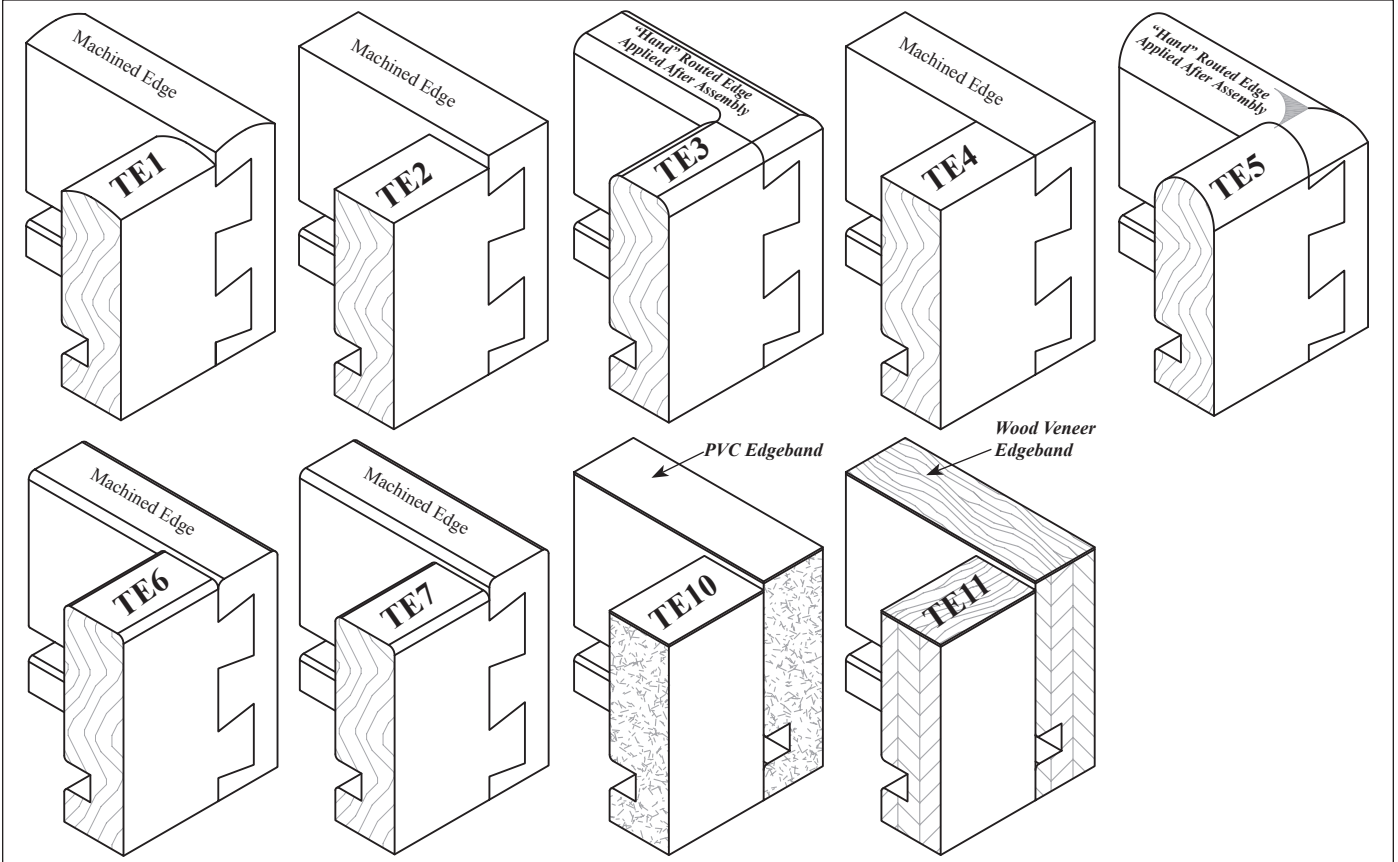
(24 Hour Fax) 1-608-781-3667

# Drawer Box Options



99.9% American Made

## Top Edge Options



Price Per Top Edge Option	TE1	TE2	TE3	TE4	TE5	TE6	TE7	TE10	TE11
Deduct Charge Per Box	X	X				X	X		
No Deduct or Upcharge				X				X	
Add Charge Per Box			X						
Add Charge Per Box					X				
Add Charge Per Box									X

## Top Edge Option Notes

1)	<b>TE1 and TE2</b>	Constructed with the sides being 3mm shorter than the front and back of the box (4mm on 3/4" thick material for TE1). TE1 - all edges are eased, TE2 - all edges are square. When ordering, please give the height dimension using the size for the front and back.
	<b>TE3</b>	Top edges are all flush and eased except the face that attaches to the back of the drawer front.
3)	<b>TE4</b>	Top edges are flush and square on all sides.
4)	<b>TE5</b>	Top edges are flush and radiused to form a half circle. A slight flat spot appears on the top where the joint meets.
5)	<b>TE6</b>	Top edges are flush for the most part and slightly eased on all sides.
6)	<b>TE7</b>	Top edges are constructed with the sides being 3mm shorter than the front and back of the box. When ordering, please give the height dimension using the size for the front and back.
	<b>TE10</b>	Available for Melamine Drawer Boxes only. Top edge option is constructed with the front and back being 2mm shorter than the sides of the box and finished with a <b>PVC</b> edgeband. When ordering, please give the height dimension using the size for the sides.
8)	<b>TE11</b>	Available for Plywood Drawer Boxes only. Top edge option is constructed with the front and back being 2mm shorter than the sides of the box and finished with a Veneer edgeband. When ordering, please give the height dimension using the size for the sides.



WalzCraft®



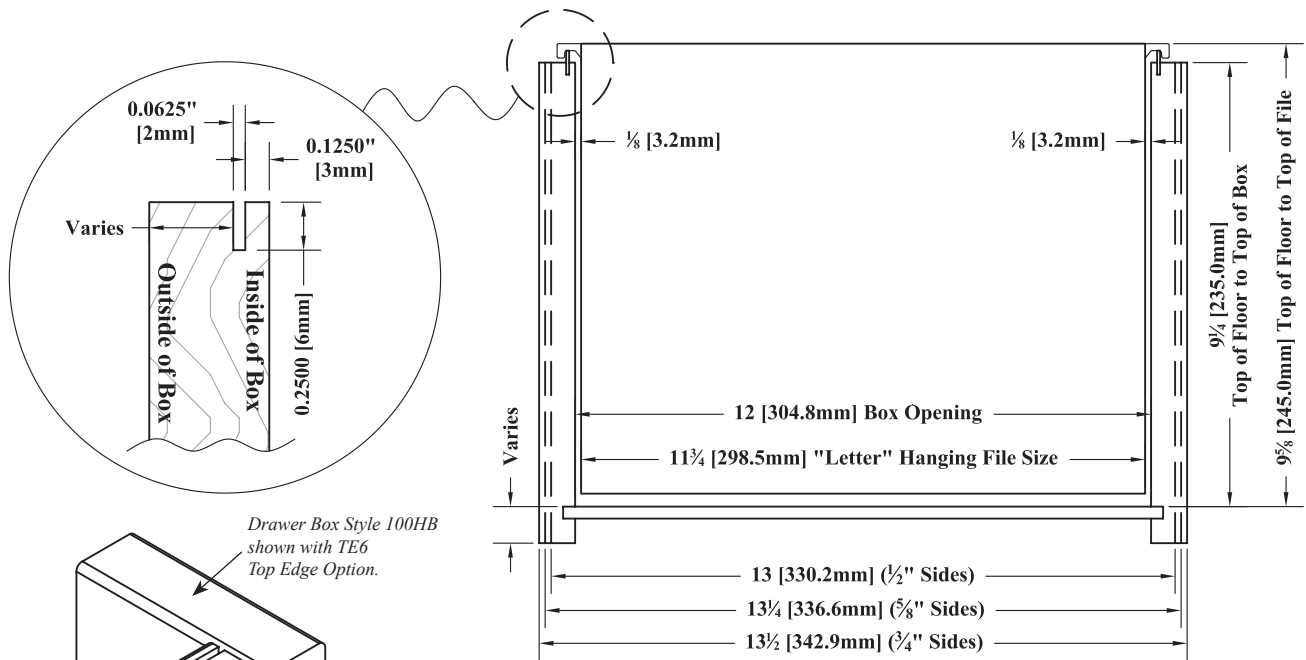
(Phone 7:00AM - 4:30PM CST) 1-800-237-1326

(24 Hour Fax) 1-608-781-3667

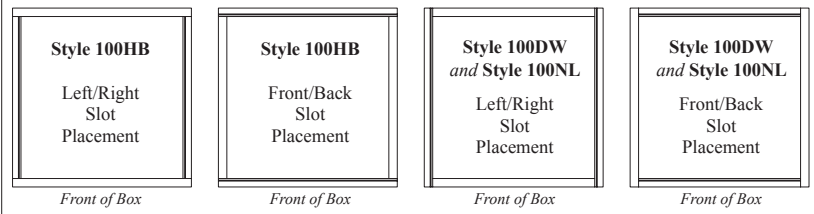
# Drawer Box Options

*"Finish Sanding is in our price...  
not tacked on later!"*

## Hanging File Slot for Drawer Boxes



### Slot Locations (Top View of Drawer Boxes)



★ Add: Charge per Drawer Box to machine the File Slot. ★

Add: Charge per lineal inch for the cut to size or full 6' lengths of Aluminum Bar Stock.

### Aluminum Bar Stock & Hanging File Slot Notes

1) Aluminum Bar Stock	WalzCraft can machine the File Slot and supply Aluminum Bar Stock cut to size, which will be shipped loose. Aluminum bar stock is 1/2" High. Also sold separately. Maximum lengths of 6'. Use <b>WCI Item #159741</b> .
2) Hanging File Slot	Use <b>Part #HFS01</b> when ordering the Hanging File Slot option.
3) Availability	Available on 1/2", 5/8" and 3/4" sidewall thicknesses.
4) File Slot Application	<ul style="list-style-type: none"> <li>When <b>Left &amp; Right</b> is specified, slot is applied to the left &amp; right sides of the drawer box (<i>conventional</i>).</li> <li>When <b>Front &amp; Back</b> is specified, slot is applied to the front &amp; back of the drawer box (<i>lateral</i>).</li> </ul>
5) Slot Size & Placement	Slot size = 1/16" Wide x 1/4" Deep. Placement is standard at 1/8" from the inside of the drawer box.
6) Top Edge Options & Aluminum Bar Stock Placement	<b>100HB</b> (Left/Right): TE4, TE6 - Bar will be notched and will extend 1/2" beyond opening depth at each end.
	<b>100HB</b> (Front/Back): TE2, TE4, TE6, TE7 - Bar will run full width of drawer box.
	<b>100DW, 100NL</b> (Left/Right): TE2, TE4, TE10, TE11 - Bar will run full depth of cabinet box.
	<b>100DW, 100NL</b> (Front/Back): TE4 - Bar will be notched and will extend 1/2" beyond opening width at each end.
7) Minimum Drawer Box Height Formula	To calculate the overall drawer box height required to hold a hanging file, please use the following formula: File Folder size = 9 1/4" + Bottom Panel Thickness + Bottom Panel Inset Dimension.
8) Cabinet Opening	The cabinet opening height for the drawer box needs to factor in: a) The distance the bottom of the drawer box is above the bottom of the opening. b) The height of any tabs or labels that protrude beyond the top of the hanging file.
9) Legal Size	For legal size hanging file folders, add 3" to width of letter size.



WalzCraft®



(Phone 7:00AM - 4:30PM CST) 1-800-237-1326

(24 Hour Fax) 1-608-781-3667

# Drawer Box Options



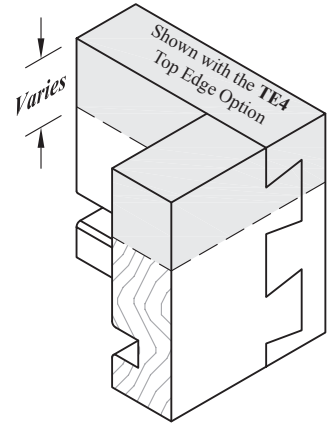
99.9% American Made

## Accented Top Edge Option

★ **Accented Top Edge Option - Add: Charge per Square Foot** ★

### Accented Top Edge Price Calculation:

- 1) Determine the square footage for the drawer box side material, using the **full height dimension** for the drawer box.
- 2) Multiply the total square footage for Drawer Box Side Material x charge per square foot.
- 3) Add this cost to the Drawer Box price.

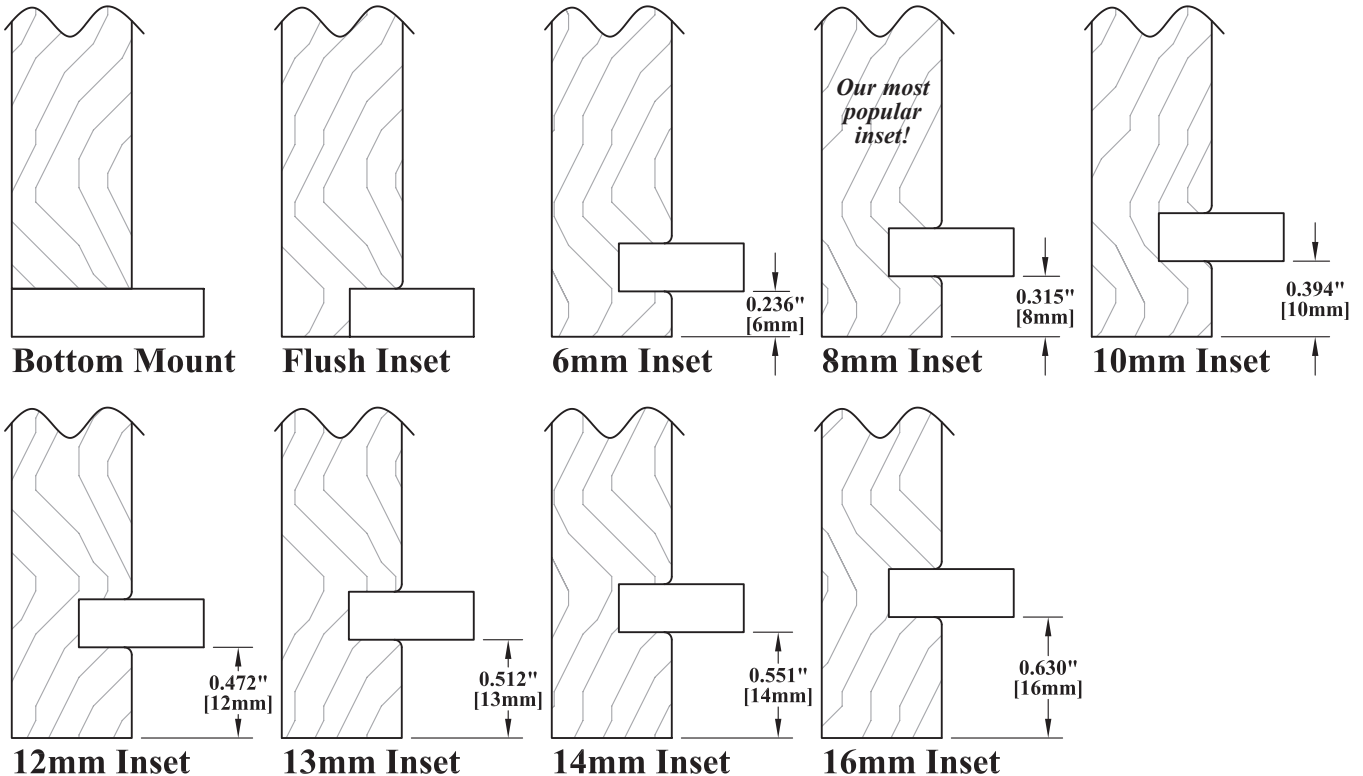


### Accented Top Edge Notes

1)	<b>Features</b>	The Accented Top Edge allows you to select a different wood species for construction on the top edge creating a decorative detail to your drawer box.
2)	<b>Width</b>	The width of the edge band must match the width of the drawer box sides.
3)	<b>Height</b>	Must be specified, 1/2" minimum required.
4)	<b>Scoop</b>	Not available with the drawer box "scoop" option.
5)	<b>Ears</b>	Available with the drawer box "ear" option.
6)	<b>Top Edge</b>	All top edge options are available.
7)	<b>Wood Species</b>	These solid wood species are most desirable: Cherry, Mahogany, Sapele and Walnut.

### Bottom Panel Inset Options

**Note: Dovetail size may vary due to the height of your drawer box.**



WalzCraft®



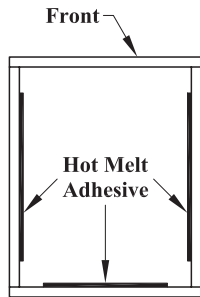
(Phone 7:00AM - 4:30PM CST) 1-800-237-1326

(24 Hour Fax) 1-608-781-3667

# Drawer Box Options

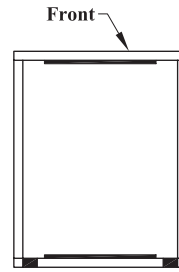
"America's Finest Cabinet Door Maker!"

## Hot Melt Adhesive / Drawer Box Notching Options

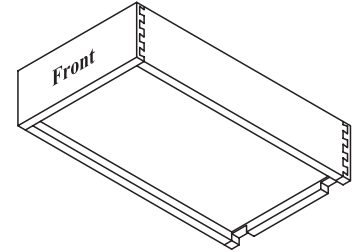


Bottom View of Drawer Box

Typical Hot Melt Adhesive application on drawer boxes without notching.

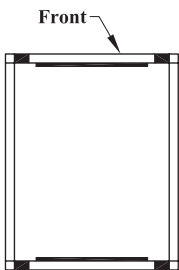


Bottom View of Drawer Box

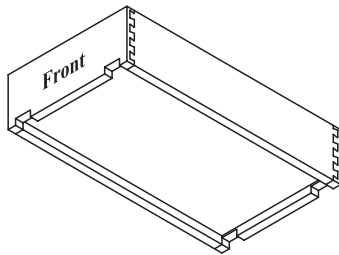


DBN100

★ Add: Charge per Drawer Box. ★

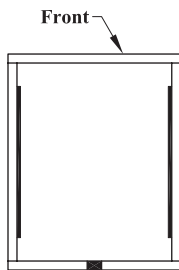


Bottom View of Drawer Box

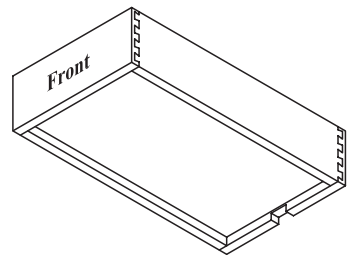


DBN200

★ Add: Charge per Drawer Box. ★

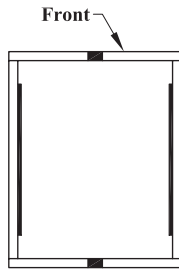


Bottom View of Drawer Box

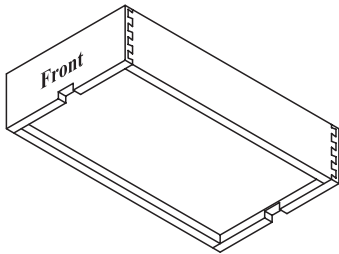


DBN300

★ Add: Charge per Drawer Box. ★

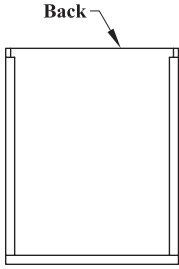


Bottom View of Drawer Box

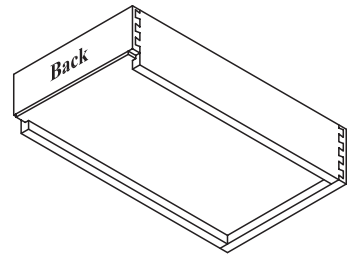


DBN400

★ Add: Charge per Drawer Box. ★



Bottom View of Drawer Box



DBN500

★ Add: Charge per Drawer Box. ★

### Drawer Box Notching Notes

1)	Hot Melt Adhesive	Applied to the bottom of all drawer boxes for added strength, with the exception of boxes being built without bottom panels and boxes with <b>DBN500</b> notching. Hot melt adhesive is applied where the bottom panel meets the left side, right side and back. It is not applied at the front and is not applied all the way into the corners. The hot melt adhesive pattern will change if you select any of the notching options shown above. Included in the price of the drawer box or pullout.
2)	Notching	Not available on boxes with a Flush Inset or Bottom Mount. Not an option on RTA drawer boxes, with the exception of the <b>DBN500</b> , which would be available on an RTA box that has an inset other than Flush. Specify the notch width in 1/4" increments.
3)	Pricing	The pricing above is for notches up to 2" wide. <b>Notches over 2" wide are double the price shown.</b>
4)	DBN100 & DBN200	Hot melt adhesive is applied where the bottom panel meets the front and back and is not applied all the way to the notch or corners.
5)	DBN300 & DBN400	Hot melt adhesive is applied where bottom panel meets the left/right sides & is not applied all the way to the corners.
6)	DBN500	Hot melt adhesive is not applied when using this removable bottom panel application. This notching option will allow you to insert your own custom drawer box bottom material.



WalzCraft®



(Phone 7:00AM - 4:30PM CST) 1-800-237-1326

(24 Hour Fax) 1-608-781-3667

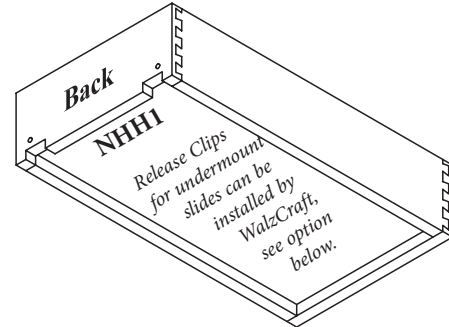
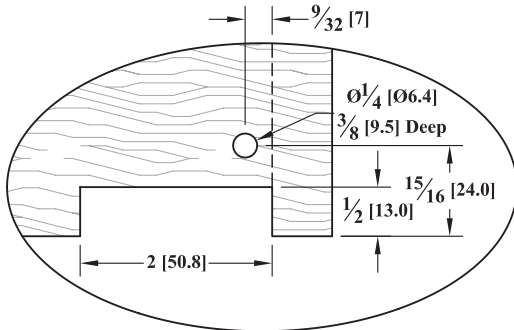
# Drawer Box Options



99.9% American Made

## Notch and Hook Hole Combination

★ NHH1: Add Charge per Drawer Box ★

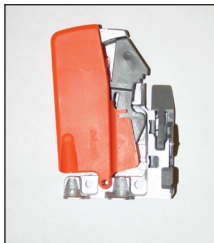


Standard Notch and Hook Hole set up for the NHH1.

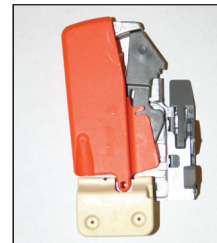
### Notch and Hook Hole Notes

1) Availability	Available with these sidewall thicknesses: 1/2", 5/8" and 3/4".
2) Drawer Glide Compatibility	Compatible with the following Blum, Hettich, Grass and Mepla drawer glide systems: Tandem 552H, 552F, Tandem Plus 562H, 568H, 568, 568F, 568A, Quadro IW20, IW21, Metro Select Series and Dynamic NT Series. For those models not listed, the NHH1 will accommodate drawer slides requiring notching up to 2" wide.
3) Application	Applied to the back side of the drawer box only.

### Drawer Box Release Clips for Undermount Slides



Blum  
T51.1700.04



Blum  
T51.1700.20

★ Add: Charge per Drawer Box; includes cost of Release Clips and Installation ★

### Release Clip Notes

1) Blum Release Clips	WalzCraft <u>stocks</u> two kinds of Blum Release Clips, part number T51.1700.04 and T51.1700.20. Please reference these part numbers when ordering. Sold in pairs.
2) Installation	The Blum Release Clips referenced above are sold & installed by WalzCraft. <i>Note, we do not install drawer slides.</i> The Salice Front Locking Clips (A710.610) can also be purchased & installed for <i>charge per pair/box.</i>
3) Ordering	The NHH1, Notch and Hook Hole Combination must be ordered in conjunction with release clips, to allow for installation.
4) Other Release Clips	Release clips vary by manufacturer. WalzCraft can provide and install other brands upon request. The following information is required when ordering release clips that are not inventoried by WalzCraft: <ul style="list-style-type: none"> <li>Brand and Model # of the drawer slide being used.</li> <li>Manufacturer's Part # of the Release Clip, <i>if available.</i></li> </ul>
5) Availability	Available with Drawer Boxes that have been prefinished, as well as melamine drawer boxes.



WalzCraft®



(Phone 7:00AM - 4:30PM CST) 1-800-237-1326

(24 Hour Fax) 1-608-781-3667

# Drawer Slides by: **SALICE**

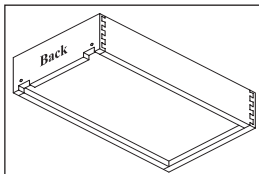
*"Outstanding quality at competitive prices!"*

## Futura Soft Close Undermount Drawer Slides

- Full extension with Smove soft close fully integrated in the runner.
- Load capacity: 75 lbs dynamic/100 lbs static.
- Compatible with 1/2" and 5/8" drawer box side wall thicknesses only.
- Requires #6 FH screw for fixing to cabinet (must be ordered separately).
- Drawer height adjustment (+3mm).
- Requires drawer box notching option NHH1.
- Front locking clips and rear mounting brackets must be ordered separately.
- Please see [www.saliceamerica.com](http://www.saliceamerica.com) for additional information and technical specifications.
- When ordering, please use *WalzCraft Order Form #5*.



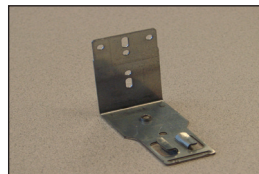
Futura A7555



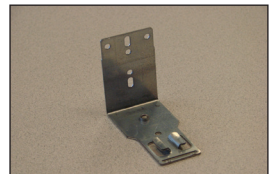
NHH1 Drawer Box Notching



Frnt. Lock. Clips (pair) A710.610



Rear Mnt. Bkts.-Regular AGSKXC5



Rear Mnt. Bkts.-Narrow AGSKXR5

Length	Extension	Closing Type	Maximum Cabinet Depth - Inside	Minimum Cabinet Depth - Inside	WCI Item #	Salice Item #	Price/Pair
12" (305mm)	Full	Smove Soft Close	14 <sup>3</sup> / <sub>8</sub> "	12 <sup>13</sup> / <sub>16</sub> "	165427	A7555/305CP6	Contact WalzCraft "Customer Support".
15" (381mm)	Full	Smove Soft Close	17 <sup>7</sup> / <sub>16</sub> "	15 <sup>7</sup> / <sub>8</sub> "	166764	A7555/381CP6	
18" (457mm)	Full	Smove Soft Close	20 <sup>3</sup> / <sub>8</sub> "	18 <sup>7</sup> / <sub>8</sub> "	160720	A7555/457CP6	
21" (533mm)	Full	Smove Soft Close	23 <sup>3</sup> / <sub>8</sub> "	21 <sup>7</sup> / <sub>8</sub> "	160721	A7555/533CP6	

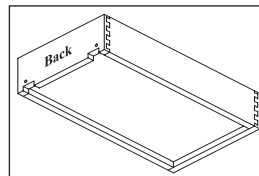
Additional lengths available - 9" (229mm), 12" (305mm), 15" (381mm). Please submit requests to Customer Support.

## Futura "Push" Undermount Drawer Slides

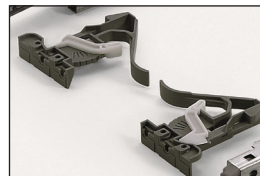
- **PUSH:** This new opening system for handle-less drawers is fully integrated in the runner. A slight "push" on the drawer front is sufficient for the drawer to self-open.
- Full extension runner.
- Load capacity: 75 lbs dynamic/100 lbs static.
- Compatible with 1/2" and 5/8" drawer box side wall thicknesses only.
- Requires #6 FH screw for fixing to cabinet (must be ordered separately).
- Drawer height adjustment (+3mm).
- Front locking clips and rear mounting brackets must be ordered separately.
- Requires drawer box notching option NHH1.
- Please see [www.saliceamerica.com](http://www.saliceamerica.com) for additional information and technical specifications.
- When ordering, please use *WalzCraft Order Form #5*.



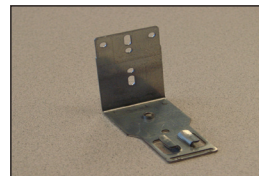
Futura A7557



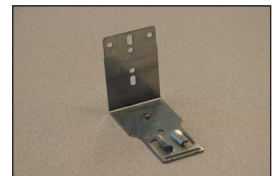
NHH1 Drawer Box Notching



Frnt. Lock. Clips (pair) A710.610



Rear Mnt. Bkts.-Regular AGSKXC5



Rear Mnt. Bkts.-Narrow AGSKXR5

Length	Extension	Closing Type	Maximum Cabinet Depth - Inside	Minimum Cabinet Depth - Inside	WCI Item #	Salice Item #	Price/Pair
21" (533mm)	Full	Push Soft Close	23 <sup>3</sup> / <sub>8</sub> "	21 <sup>7</sup> / <sub>8</sub> "	165444	A7557/533CP6	

Additional lengths available - 12" (305mm), 15" (381mm), 18" (457mm). Please submit requests to our Customer Support Team.

## Front Locking Clips & Rear Mounting Brackets for Futura Undermount Slides

Description	WCI Item #	Salice Item #	Price
Front Locking Clips - left & right (pair). These are also available installed; for this option and pricing see <i>"Release Clip Note # 2"</i> .	160722	A710.610	Contact WalzCraft "Customer Support".
Rear Mounting Bracket (Socket)-Regular - 2" wide, metal (each)*	160723	AGSKXC5	
Rear Mounting Bracket (Socket)-Narrow - 1 <sup>7</sup> / <sub>16</sub> " wide, metal (each)*	160724	AGSKXR5	

\* When mounting the brackets (used to support the drawer slides) to the cabinet back, the different width brackets provide flexibility when encountering different cabinet side thicknesses and the proximity of the cabinet side to the inside opening of face frame.



WalzCraft®



(Phone 7:00AM - 4:30PM CST) 1-800-237-1326

(24 Hour Fax) 1-608-781-3667



# Drawer Box Options

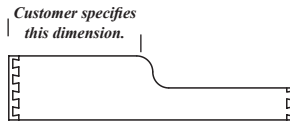
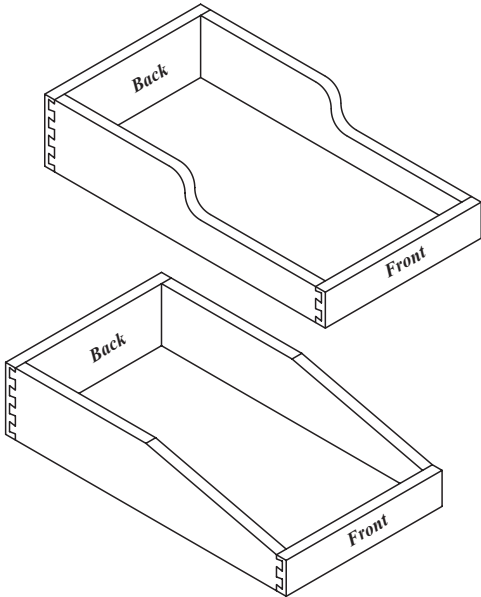


99.9% American Made

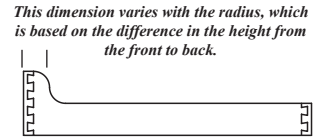
## Specialty Drawer Boxes - Shaped Side Patterns



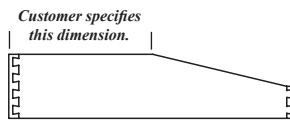
Add: Charge per Drawer Box.



DBSP100



DBSP200



DBSP300

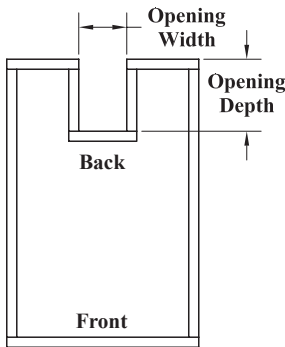


DBSP400

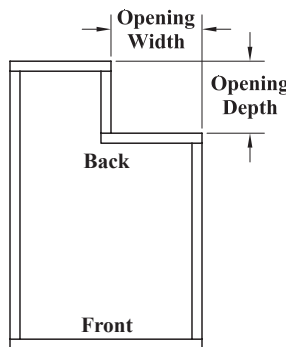
## Specialty Drawer Boxes - Notched Patterns



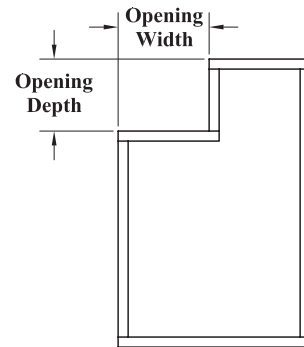
Add: Charge per Drawer Box.



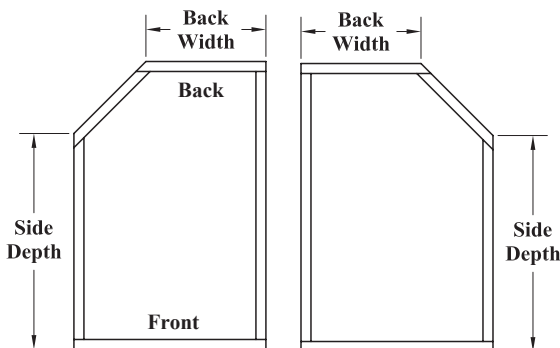
DBP101



DBP102L

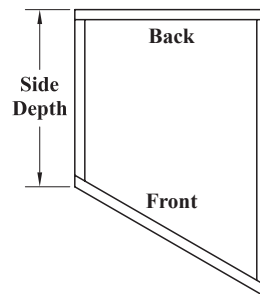


DBP102R

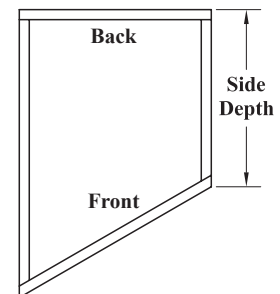


DBP103L

DBP103R



DBP104L



DBP104R



WalzCraft®



(Phone 7:00AM - 4:30PM CST) 1-800-237-1326

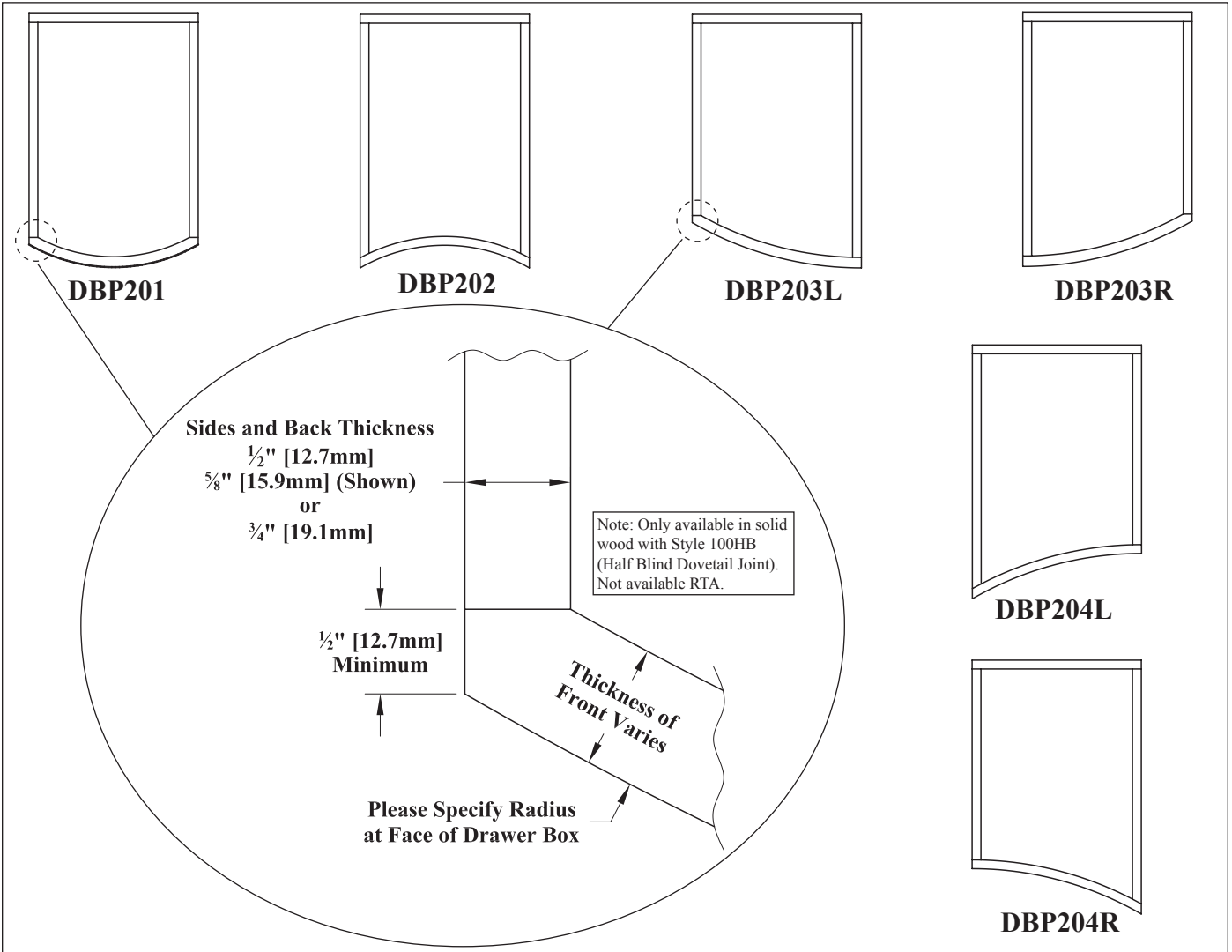
(24 Hour Fax) 1-608-781-3667

# Drawer Box Options

*"WalzCraft is a Premier Leader in the Industry for Manufacturing Custom Products!"*

## Specialty Drawer Boxes - Curved Fronts

★ Add Charge per Drawer Box. ★



### Specialty Drawer Box Notes

1)	<b>Drawer Box Side Patterns</b>	The height must be specified for both the <i>Front</i> and <i>Back</i> of the drawer box. ( $\frac{1}{4}$ " minimum height at the narrowest.) Available with "scoop" and "ear" options.
2)	<b>DBSP100 &amp; DBSP200</b>	Available with these Top Edge Options: <b>TE1, TE2, TE3, TE4, TE5, TE6</b> and <b>TE7</b> .
3)	<b>DBSP300 &amp; DBSP400</b>	Available with these Top Edge Options: <b>TE1, TE2, TE3, TE4, TE6</b> and <b>TE7</b> .
4)	<b>Drawer Box Patterns</b>	Not available Ready To Assemble ( <b>RTA</b> ). Notching is available with all patterns. Available with these Top Edge Options: <b>TE1, TE2, TE3, TE4, TE6</b> and <b>TE7</b> . "Scoop" and "ear" options are only available with the <b>DBP101, DBP102L, DBP102R, DBP103L</b> and <b>DBP103R</b> .
5)	<b>DBP100 Series Patterns</b>	On each of the drawings you will find the information that is required for ordering.
6)	<b>DBP103L &amp; DBP103R</b> <b>DPB104L &amp; DBP104R</b>	These patterns can not go below a 45 degree angle or exceed a 135 degree angle, for dovetailing purposes.
7)	<b>DBP200 Series Patterns</b>	The radius must be specified at either the face or back of the curve, when ordering. If a matching drawer front is being ordered with one of these designs, the radius for the drawer box will be determined from the radius of the drawer front.
8)	<b>DBP201, DBP203L &amp; DBP203R</b>	Due to the radius of these styles, the front may be thicker than the remaining sides, <i>see cross-section view above</i> .



WalzCraft®



(Phone 7:00AM - 4:30PM CST) 1-800-237-1326

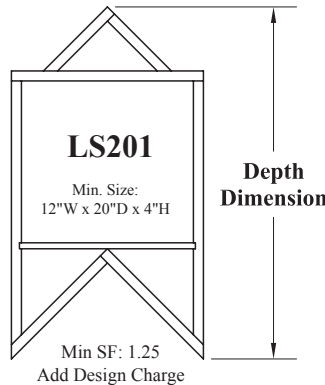
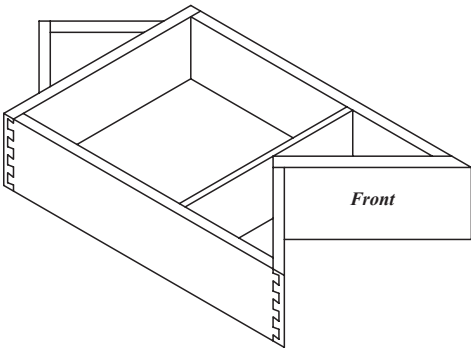
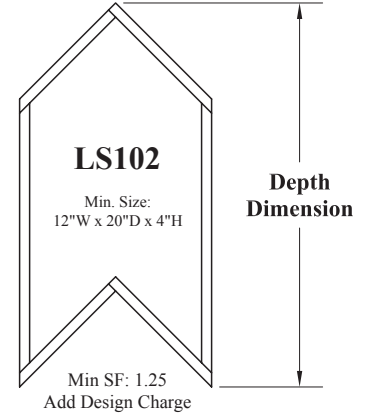
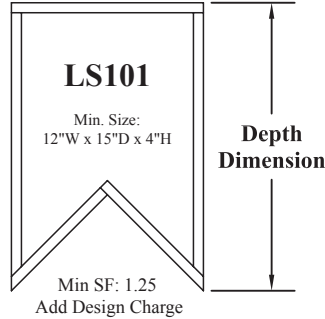
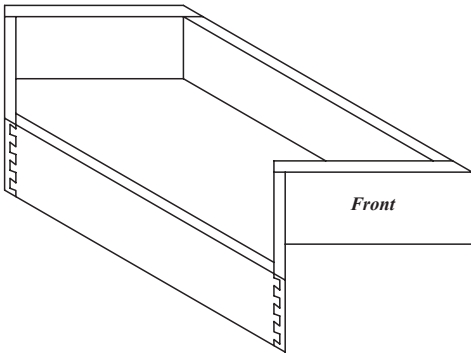
(24 Hour Fax) 1-608-781-3667

# Drawer Box Options



99.9% American Made

## Specialty Drawer Boxes - Inside Corner Patterns



★ **Price Calculation for Inside Corner Drawer Box Patterns:** ★

- 1) a. Calculate the square footage of the Sidewall Material using the following formulas based on the pattern chosen:
  - LS101** =  $((D \times H) \times 2 + (W \times H) \times 3) \div 144$
  - LS102** =  $((D \times H) \times 2 + (W \times H) \times 4) \div 144$
  - LS201** =  $((D \times H) \times 2 + (W \times H) \times 5) \div 144$
- b. Multiply the square footage of the sidewall material by the square foot price for the wood species and grade chosen. *There is a 1.25 square foot minimum for pricing sidewall material.*
- 2) a. Calculate the square footage of the Bottom Panel Material using this formula:  $(W \times D) \div 144$ .
  - b. Multiply the square footage of the bottom panel material by the square foot price. *There is no square foot minimum for pricing the bottom panel material.*
- 3) Add the charges from **Step #1** and **#2** together.
- 4) Add the Design Charge for the style chosen.
- 5) Add any other charges that apply (ie: Top Edge, Finishing, etc.)

### Inside Corner Drawer Box Pattern Notes

1) <b>Construction</b>	Comprised of either Dovetail, Dowel or Nailed construction, along with butt joints.
2) <b>Domino Tenon Joinery</b>	The joinery method used when ordering Inside Corner Drawer Boxes in Melamine.
3) <b>RTA</b>	Not available.
4) <b>Inside Corner Angle</b>	Only available with a 45 degree angle.
5) <b>“Scoop” &amp; “Ear” Options</b>	Not available.
6) <b>Top Edge Options</b>	All options are available.



WalzCraft®



(Phone 7:00AM - 4:30PM CST) 1-800-237-1326

(24 Hour Fax) 1-608-781-3667

# Drawer Box Options

*"One Stop Shopping!"*

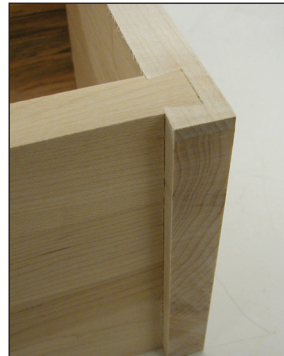
## Specialty Joinery

- Available as an alternative to the Half Blind Dovetail Drawer Box (Style 100HB).
  - **Style 100FT** (Full/Through Dovetail Joint) available in Solid Wood only.
  - **Style 100FR** (French Dovetail Joint) available in Solid Wood and Baltic Birch only.
- Contact Customer Support for additional information.

★ Add the following upcharge to the square foot cost of Style 100HB (Half Blind Dovetail) Drawer Box Sidewall Material: ★  
 • **Style 100FT (Full/Through Dovetail Joint): Add Charge per Sq.Ft.**     **Style 100FR (French Dovetail Joint): Add Charge per Sq.Ft.**



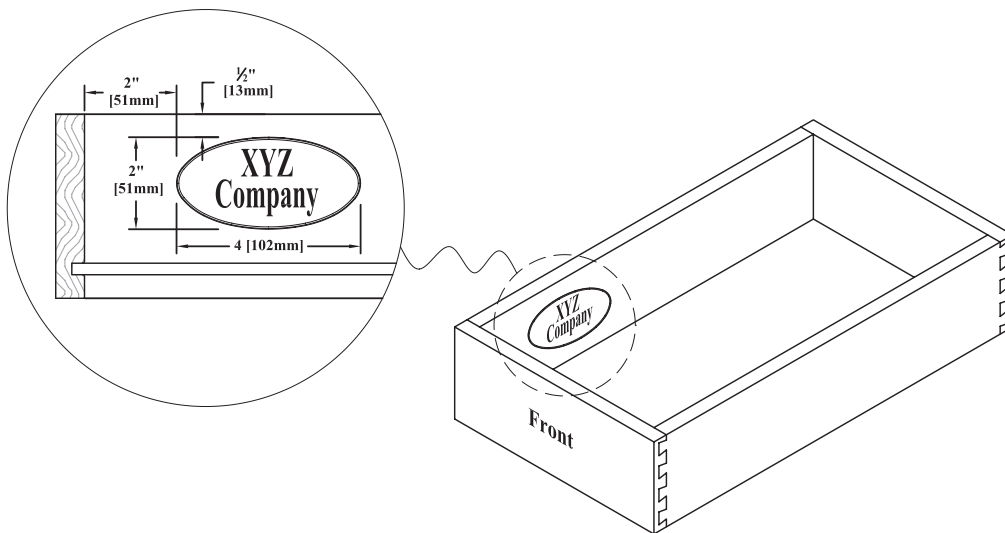
**Full/Through Dovetail Joint - Style 100FT**



**French Dovetail Joint Style 100FR**

## Laser Engraving on Drawer Boxes

★ Add: Charge for a One-Time Setup Fee per Logo (Less 30% Discount) ★  
 Add: Charge per Drawer Box (Less 30% Discount)



### Laser Engraving Notes

1)	<b>Wood Species</b>	The following wood species are recommended for laser engraving: Alder, Cherry, Maple, Red Birch and Walnut.
2)	<b>Placement</b>	The drawing above shows the approximate size and location for you engraved logo. <i>Some logo designs will vary in size due to their shape.</i>
3)	<b>Design Formats</b>	Submit business logo designs in the following formats: EPS (vector art preferred), high resolution JPEG or TIF files. (JPEG and TIF files must be at least 600 DPI.) Due to variations in logo designs, a CAD drawing will be supplied by WalzCraft for approval prior to manufacturing your order.
4)	<b>Promotional Discount</b>	WalzCraft views the engraving of your company's logo on drawer boxes as a promotional item for your business. As such, you will receive a 30% discount off the One-Time Setup Fee as well as the Per Box Charge. The cost of the drawer box itself will be priced as normal.



WalzCraft®



(Phone 7:00AM - 4:30PM CST) 1-800-237-1326

(24 Hour Fax) 1-608-781-3667

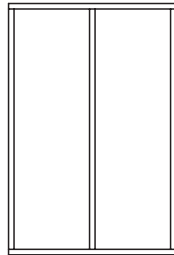
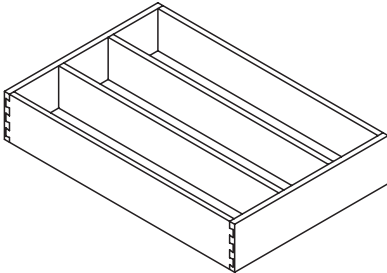
# Drawer Box Accessories



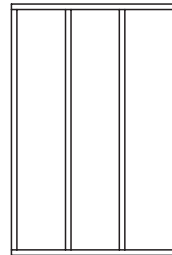
99.9% American Made

## Solid Wood Drawer Box Organizer Inserts (DBOI) - 100 Series

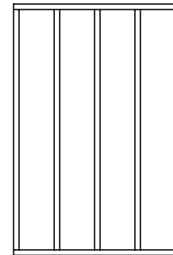
\*\* Vertical dividers are equally spaced. \*\*



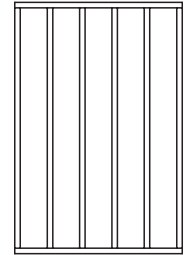
**DBOI: 101**  
Min. Size:  $3\frac{1}{8}W \times 1\frac{1}{4}D$   
(79mm x 45mm)  
Min SF: 1.25  
Add Design Charge



**DBOI: 102**  
Min. Size:  $4\frac{1}{2}W \times 1\frac{1}{4}D$   
(114mm x 45mm)  
Min SF: 1.30  
Add Design Charge



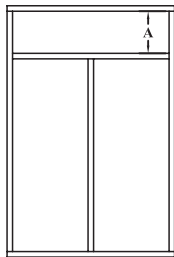
**DBOI: 103**  
Min. Size:  $5\frac{1}{8}W \times 1\frac{1}{4}D$   
(149mm x 45mm)  
Min SF: 1.35  
Add Design Charge



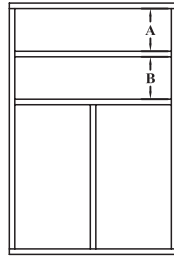
**DBOI: 104**  
Min. Size:  $7\frac{1}{4}W \times 1\frac{1}{4}D$   
(184mm x 45mm)  
Min SF: 1.40  
Add Design Charge

## Solid Wood Drawer Box Organizer Inserts (DBOI) - 200 Series

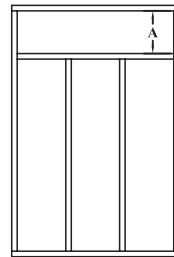
\*\*Vertical dividers are equally spaced. The horizontal opening dimension(s) A & B must be provided.\*\*



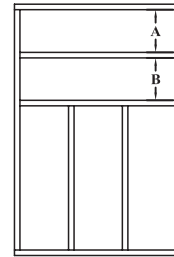
**DBOI: 201**  
Min. Size:  $3\frac{1}{8}W \times 3\frac{1}{8}D$   
(79mm x 79mm)  
Min SF: 1.35  
Add Design Charge



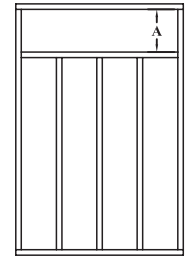
**DBOI: 202**  
Min. Size:  $3\frac{1}{8}W \times 4\frac{1}{2}D$   
(79mm x 114mm)  
Min SF: 1.40  
Add Design Charge



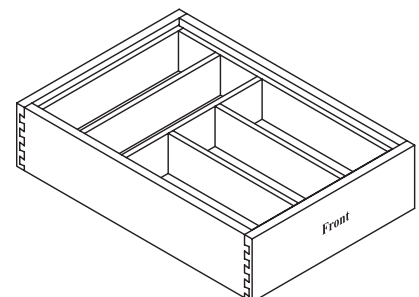
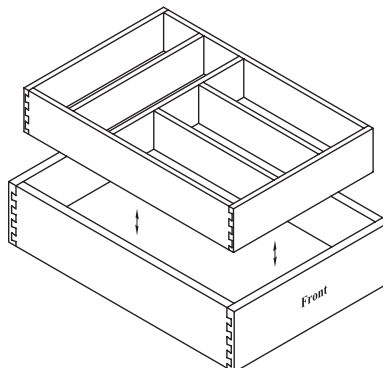
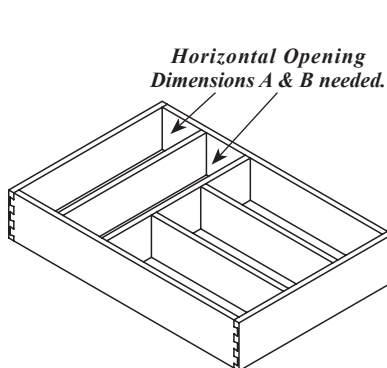
**DBOI: 203**  
Min. Size:  $4\frac{1}{2}W \times 3\frac{1}{8}D$   
(114mm x 79mm)  
Min SF: 1.45  
Add Design Charge



**DBOI: 204**  
Min. Size:  $4\frac{1}{2}W \times 4\frac{1}{2}D$   
(114mm x 114mm)  
Min SF: 1.50  
Add Design Charge



**DBOI: 205**  
Min. Size:  $5\frac{1}{8}W \times 3\frac{1}{8}D$   
(149mm x 79mm)  
Min SF: 1.52  
Add Design Charge



Note: Drawer Box and Drawer Box Organizer Insert are sold separately.



WalzCraft®



(Phone 7:00AM - 4:30PM CST) 1-800-237-1326

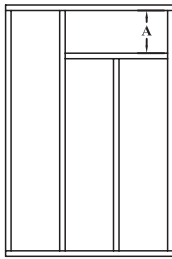
(24 Hour Fax) 1-608-781-3667

# Drawer Box Accessories

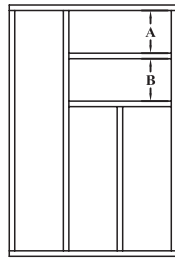
*"Our Customer Support Team can assist you with your custom cabinet component needs."*

## Solid Wood Drawer Box Organizer Inserts (DBOI) - 300 Series

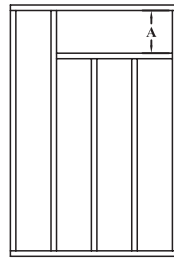
**\*\*Vertical dividers are equally spaced. The horizontal opening dimension(s) A & B must be provided.\*\***



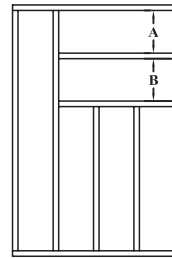
**DBOI: 301R**  
Min. Size: 4½Wx3¾D  
(114mm x 79mm)  
Min SF: 1.55  
Add Design Charge



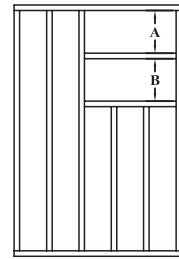
**DBOI: 302R**  
Min. Size: 4½Wx4½D  
(114mm x 114mm)  
Min SF: 1.60  
Add Design Charge



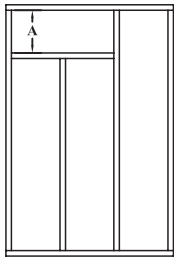
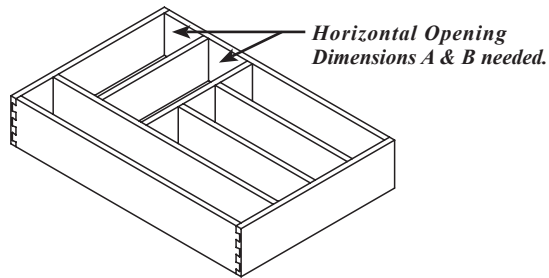
**DBOI: 303R**  
Min. Size: 5⅞Wx3¾D  
(149mm x 79mm)  
Min SF: 1.65  
Add Design Charge



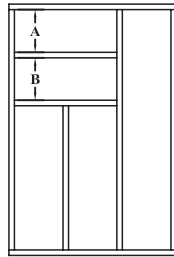
**DBOI: 304R**  
Min. Size: 5⅞Wx4½D  
(149mm x 114mm)  
Min SF: 1.70  
Add Design Charge



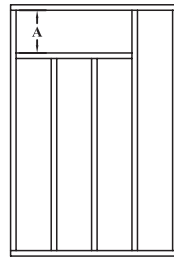
**DBOI: 305R**  
Min. Size: 7¼Wx4½D  
(184mm x 114mm)  
Min SF: 2.00  
Add Design Charge



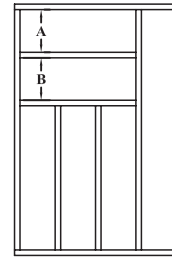
**DBOI: 301L**  
Min. Size: 4½Wx3¾D  
(114mm x 79mm)  
Min SF: 1.55  
Add Design Charge



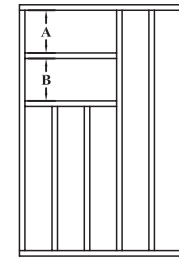
**DBOI: 302L**  
Min. Size: 4½Wx4½D  
(114mm x 114mm)  
Min SF: 1.60  
Add Design Charge



**DBOI: 303L**  
Min. Size: 5⅞Wx3¾D  
(149mm x 79mm)  
Min SF: 1.65  
Add Design Charge



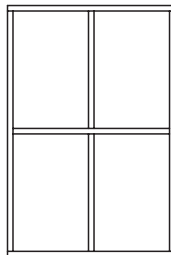
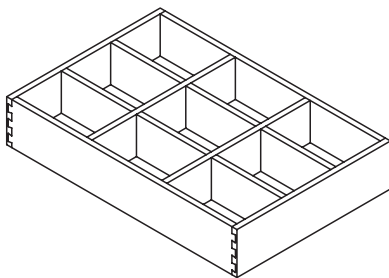
**DBOI: 304L**  
Min. Size: 5⅞Wx4½D  
(149mm x 114mm)  
Min SF: 1.70  
Add Design Charge



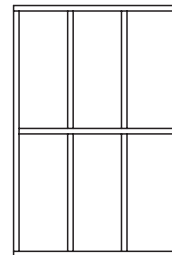
**DBOI: 305L**  
Min. Size: 7¼Wx4½D  
(184mm x 114mm)  
Min SF: 2.00  
Add Design Charge

## Solid Wood Drawer Box Organizer Inserts (DBOI) - 400 Series

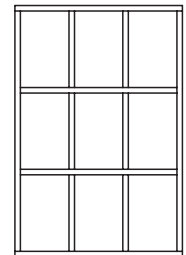
**\*\*All dividers are equally spaced.\*\***



**DBOI: 401**  
Min. Size: 3⅞Wx3¾D  
(79mm x 79mm)  
Min SF: 1.30  
Add Design Charge



**DBOI: 402**  
Min. Size: 4½Wx3¾D  
(114mm x 79mm)  
Min SF: 1.40  
Add Design Charge



**DBOI: 403**  
Min. Size: 4½Wx4½D  
(114mm x 114mm)  
Min SF: 1.50  
Add Design Charge



WalzCraft®



(Phone 7:00AM - 4:30PM CST) 1-800-237-1326

(24 Hour Fax) 1-608-781-3667

# Drawer Box Accessories



99.9% American Made



## Price Calculation for Drawer Box Organizer Inserts



- 1) Use the square foot price as published for Drawer Box Side Materials.
- 2) Use the square foot price as published for Drawer Box Bottom Materials.
- 3) Calculate the square footage of all the side wall materials of the Drawer Box Organizer, including all of the dividers. Each option has a minimum square foot for pricing, based on the style chosen. (*Compare the actual to the minimum and use the minimum if the actual is less.*) Multiply the square footage by the square foot price.
- 4) Calculate the square footage of the Organizer Bottom Panel and multiply by the square foot price.
- 5) Add the results of **Steps #3** and **#4** together.
- 6) Add the Design Charge as noted for the style chosen.
- 7) Add the Finishing Charge, if applicable.

### Drawer Box Organizer Insert (DBOI) Notes

1)	<b>Ordering Information Two Ways to Order</b>	<b>Order Drawer Box and DB Organizer Insert (DBOI) Together:</b> <ul style="list-style-type: none"> <li>• Use "Drawer Box with DB Organizer Insert" Order Form.</li> <li>• Order form is used to order both the Drawer Box and the DB Organizer Insert (DBOI).</li> <li>• Complete the order form providing all necessary information for Drawer Box.</li> <li>• When filling in the Drawer Box Style # along with the Drawer Box's exact Width, Depth and Height, you must also fill in the DB Organizer Insert (DBOI) #. Example: <b>304L</b>. Be sure to include the Horizontal Opening Dimensions A &amp; B where applicable.</li> <li>• WalzCraft will determine the size of the DB Organizer Insert based on the size and specifications of the Drawer Box. We will figure finished dimensions, allowing for a 1.5mm gap around the perimeter of the Insert.</li> </ul>
		<b>Order Drawer Box Organizer Insert (DBOI) Only:</b> <ul style="list-style-type: none"> <li>• Use "Drawer Box Organizer Insert Only" Order Form.</li> <li>• Complete the form providing all necessary specifications for the Drawer Box Organizer Insert (DBOI).</li> <li>• Order exact sizes only.</li> <li>• Make sure to include the DB Organizer Insert (DBOI) #. Example: <b>304L</b>.</li> <li>• Make sure to include Horizontal Opening Dimensions A &amp; B where applicable.</li> </ul>
2)	<b>Construction</b>	Constructed with dovetail sides.
		Dividers will be installed with dowels and the ¼" bottom panel will be rabbeted in a groove and inset 4mm.
		Sidewalls and dividers are 10mm (3/8") thick.
		Dividers are 3mm shorter than the sidewalls ( <b>TE7</b> "look")
3)	<b>Material</b>	Available in Solid Wood only.
4)	<b>Top Edge</b>	<b>TE6</b> is the standard top edge option for all styles.
5)	<b>Finishing</b>	Available Unfinished or with a Natural / Clear Coat ( <i>No Stain Applied</i> ) Satin finish.
6)	<b>Placement</b>	Placement of the drawer box organizer is a ½" below the shortest part of the drawer box sidewall.
7)	<b>Minimum Opening Size</b>	1" minimum opening size.
8)	<b>RTA</b>	Not available ready to assemble ( <b>RTA</b> ).

1-800-237-1326

WalzCraft®

www.WalzCraft.com



WalzCraft®



(Phone 7:00AM - 4:30PM CST) 1-800-237-1326

(24 Hour Fax) 1-608-781-3667

# Drawer Box Divider Stock

# Solid Wood Drawer Box Divider Stock

## $\frac{3}{16}$ ", $\frac{1}{4}$ ", $\frac{3}{8}$ " and $\frac{1}{2}$ " Solid Wood Drawer Box Divider Stock



**DBD100**

★ **Price Calculation for  $\frac{3}{16}$ " Cut-to-Length Drawer Box Divider Stock** ★

$\frac{3}{16}$ " thick unfinished, Maple-Hard/Soft-Mixed-Paint/Budget/Value Grade divider stock with these Cut-to-Length pieces is priced as follows:

2 piece 4"W x 18"L	= 1.00 SqFt.
1 piece 4"W x 24"L	= .67 SqFt.
<b>Total Square Footage</b>	<b>= 1.67 SqFt.</b>

PC **M102** Plus 10% for Cut-to-Length = Price per SqFt.  
 Price per SqFt. x 1.67 SqFt. = **Total Cost**  
 (Plus any upcharge, if applicable. Plus packaging fees.)

### Solid Wood Drawer Box Divider Stock Notes

1)	<b>Ordering Information</b>	Use <b>Part #DBD100</b> when ordering. No minimum order quantity required.
2)	<b>Outside Edge Profile</b>	<b>D7</b> only.
3)	<b>Sizes</b>	<b>Thickness:</b> Available in thickness of $\frac{3}{16}$ ", $\frac{1}{4}$ ", $\frac{3}{8}$ " or $\frac{1}{2}$ ". <b>Width:</b> Available in widths from $\frac{5}{8}$ " to 6" in $\frac{1}{16}$ " increments (or rounded to the nearest whole millimeter). Walz-Craft makes every attempt to produce these parts from one solid piece of wood. A glued up panel ( <b>GUPFS</b> ) may be required for sizes wider than 6". <b>Lengths:</b> Available in 8' lengths, Cut-to-Length or Random Lengths from 36" to 96".
4)	<b>Pricing</b>	Priced by the square foot with a $\frac{1}{4}$ <b>square foot minimum</b> per piece. For $\frac{3}{16}$ " and $\frac{1}{4}$ " thicknesses, use Price Class <b>M102</b> for 8' lengths. Please add 10% for Cut-to-Length or subtract 10% for Random Lengths (See <b>Moldings</b> section for Price Class information). For $\frac{3}{8}$ " and $\frac{1}{2}$ " thicknesses, use Price Class <b>M101</b> for 8' lengths. Please add 10% for Cut-to-Length or subtract 10% for Random Lengths (See <b>Moldings</b> section for Price Class information).
5)	<b>Finishing</b>	Divider stock is finished on 2-sides ( <b>2S</b> ). Finishing is calculated by totaling the square footage of material and multiplying it by the square foot finishing charge.
6)	<b>Materials</b>	Knotty and Rustic grade materials will only have small knots, if any.
7)	<b>Divider Moldings</b>	The <b>#845</b> , <b>#1686</b> , <b>#1687</b> and <b>#1688</b> divider moldings can be used with divider stock, as shown below.

### Drawer Box Divider Moldings

- Available in 8' lengths only.
- Designed to be attached to the inside of drawer boxes.
- Will accept divider material in these thicknesses:  $\frac{3}{16}$ ",  $\frac{1}{4}$ ",  $\frac{3}{8}$ " or  $\frac{1}{2}$ "

Designed to accept  $\frac{3}{16}$ " material



**#1686**  
PC: M102  
Sq Ft: .70

Designed to accept  $\frac{3}{8}$ " material



**#1687**  
PC: M102  
Sq Ft: .70

Designed to accept  $\frac{1}{4}$ " material

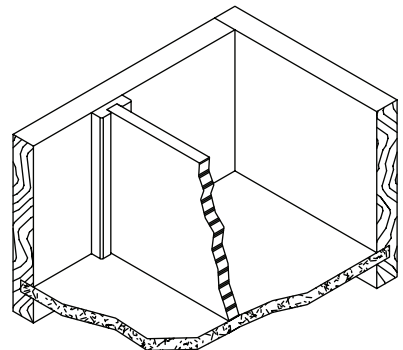


**#845**  
PC: M102  
Sq Ft: .70

Designed to accept  $\frac{1}{2}$ " material



**#1688**  
PC: M102  
Sq Ft: .70



WalzCraft®

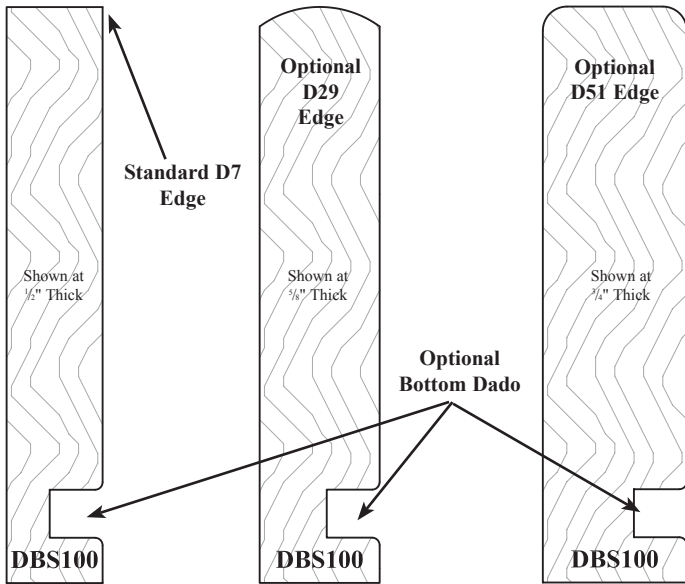


# Drawer Box Side Material



99.9% American Made

## 1/2", 5/8" and 3/4" Drawer Box Side Material



To order Drawer Box Side Material, you must determine the following:

- 1) **Wood Species.**
- 2) **Thickness** - available in 1/2", 5/8" and 3/4".
- 3) **Top Edge Option** - D7, D29 and D51 which are available in all thicknesses.
- 4) **Bottom Inset**
- 5) **Bottom Dado Width**
- 6) **Available in any width from 2" up to 9". Please order in 1/16" increments.**
  - All material over 6" in width may be produced from a glued up panel, due to lumber availability.
- 7) **Quantity.**
  - If ordering 8' or Cut to Lengths, please order the quantity required.
  - If ordering Random Lengths, please order the total lineal footage needed.

### ★ Price Calculations for Drawer Box Side Material ★

• **Random Length Drawer Side Material - (36" - 96" lengths):**

- a) Calculate the total square footage of side material.
- b) Use Price Class **M101**.

• **8' Length Drawer Side Material:**

- a) Calculate the total square footage of side material.
- b) Use Price Class **M101**.

• **Cut To Length Drawer Side Material:**

- a) Calculate the total square footage of side material.
- b) Use Price Class **M101**.

• **Options:**

- a) Add charge per lineal inch for the Top Edge Option (no charge for **D7**) and charge per lineal inch plus a one time set up fee for Bottom Dado pricing.

• **Finishing:**

- a) For Finishing, add charge per square foot. Drawer Box Side Material is only available with a Natural / Clear Coat finish (*No Stain Applied*).

### Drawer Box Side Material Notes

1) <b>Ordering Information</b>	Use <b>Part #DBS100</b> when ordering.
	No minimum order quantity required.
	Available in Random Lengths, 8' Lengths and Cut to Length.
2) <b>Pricing</b>	Priced by the square foot and available in width dimensions from 2" up to 9", using 1/16" increments or rounded to the nearest whole millimeter.
	Price Class <b>M101</b> .
	1/4 square foot minimum per piece for pricing.
3) <b>Maximum Length</b>	96"
4) <b>Outside Edge Profiles</b>	<b>D7</b> is standard and is available at no additional charge. <b>D29</b> and <b>D51</b> are also available but carry a charge per lineal inch upcharge .
5) <b>Materials</b>	Knotty and Rustic grade materials will only have small knots, if any.
6) <b>Finishing</b>	Only available with a Natural / Clear Coat ( <i>No Stain Applied</i> ) Satin finish.
	Side Material is finished on 2-sides ( <b>2S</b> ).
	Finishing is calculated by totaling the square footage of material and multiplying it by the square foot finishing charge for the Natural / Clear Coat ( <i>No Stain Applied</i> ) finish.



WalzCraft®



(Phone 7:00AM - 4:30PM CST) 1-800-237-1326

(24 Hour Fax) 1-608-781-3667