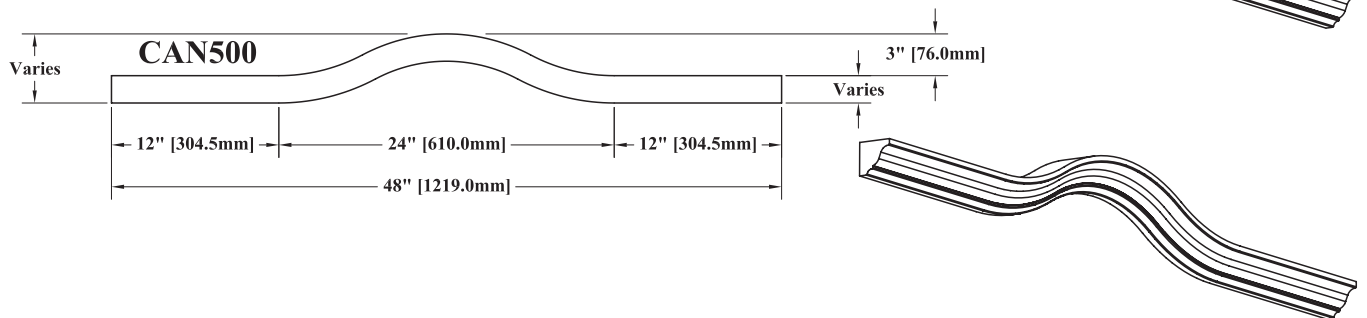
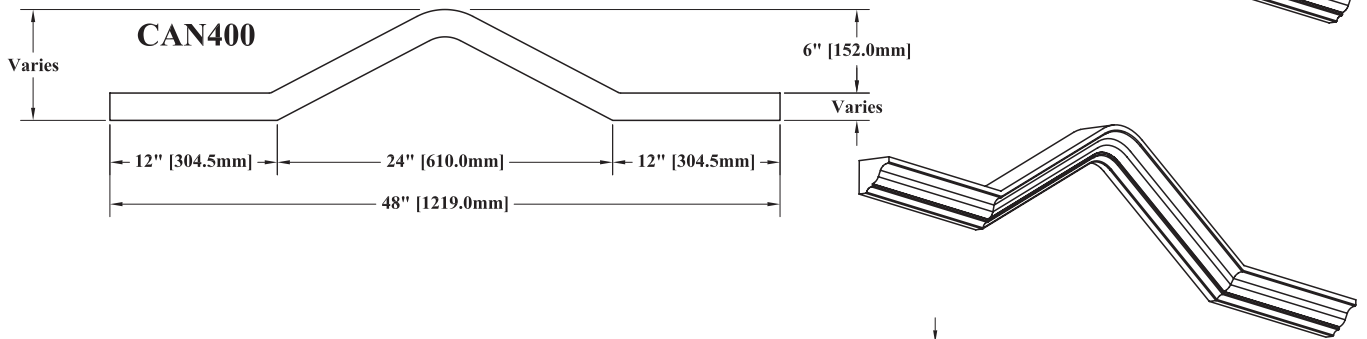
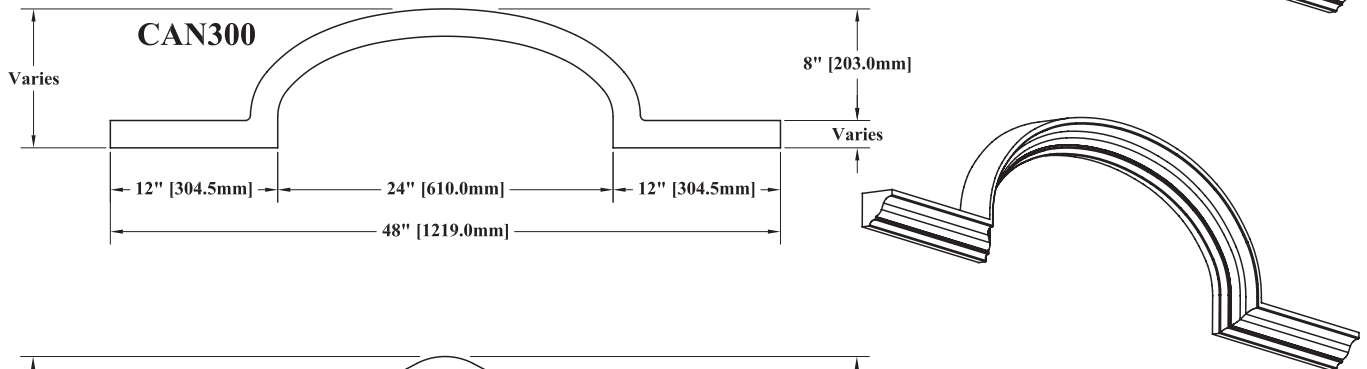
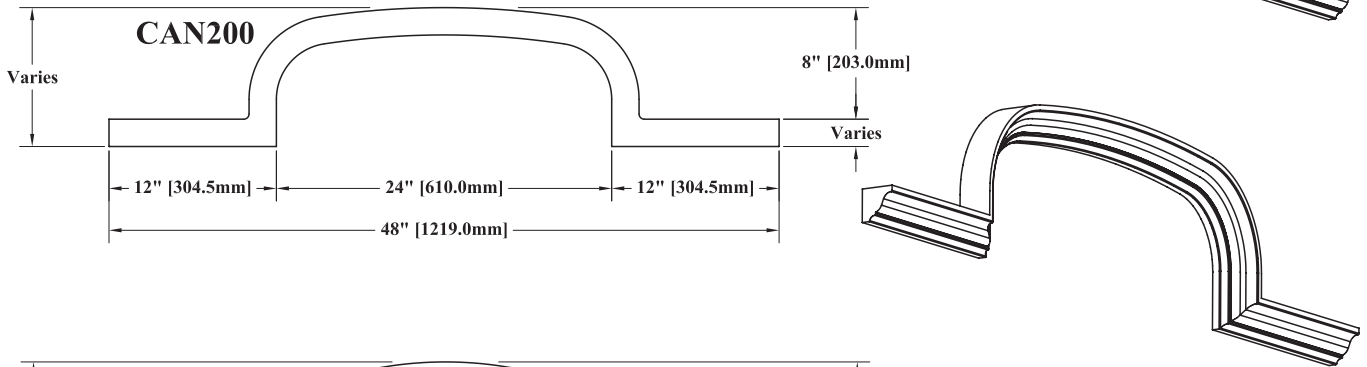
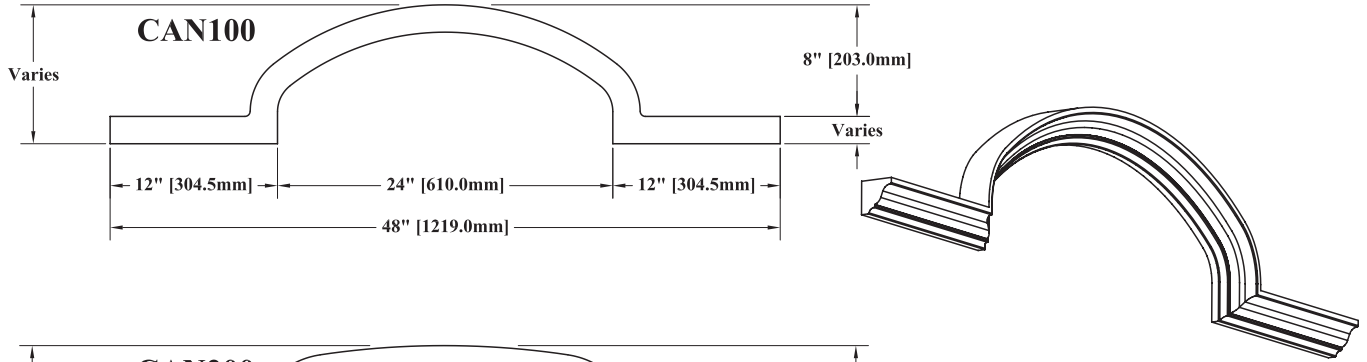


# Canopy Moldings

*"Please contact our Non-Catalog Team for assistance with this product line!"*

## Canopy Styles



WalzCraft®



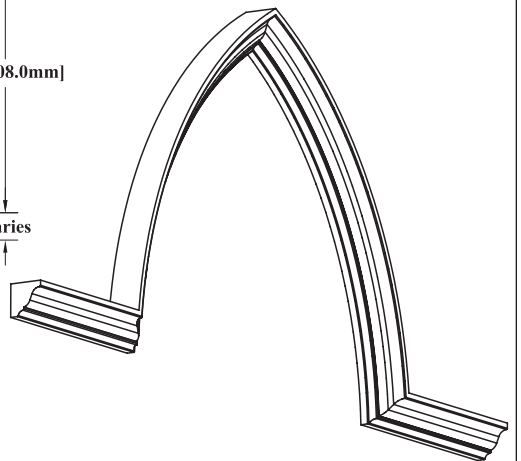
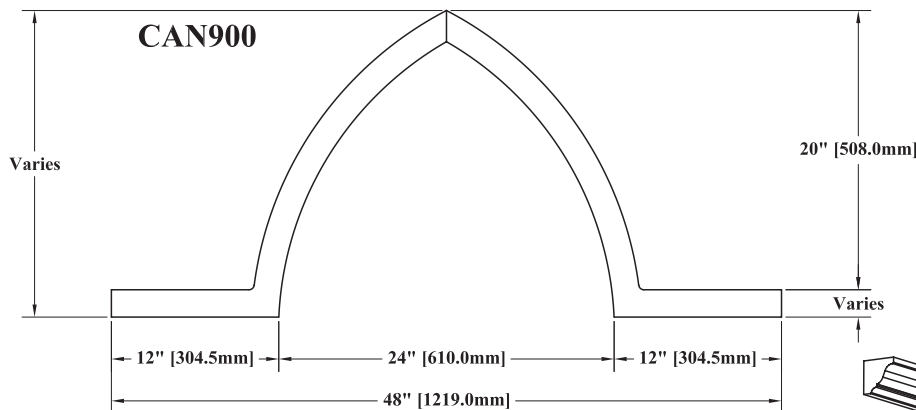
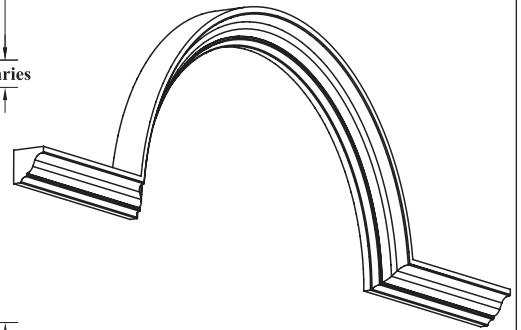
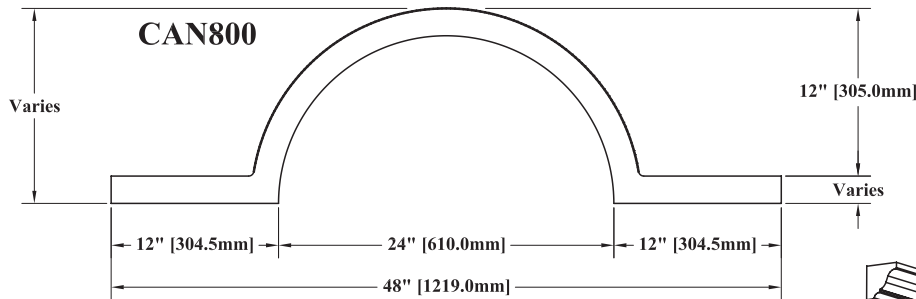
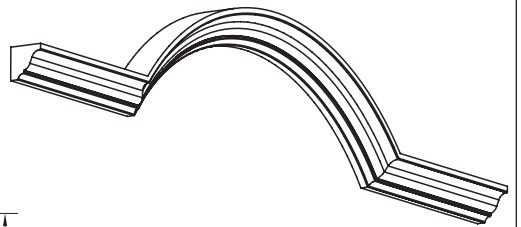
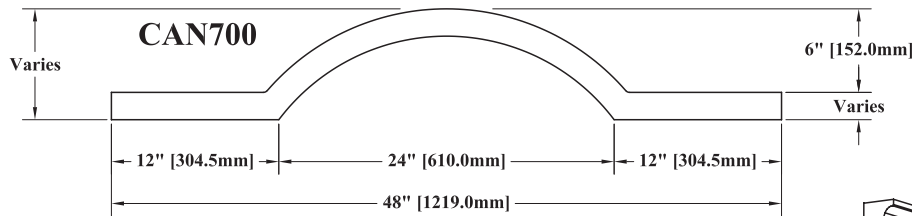
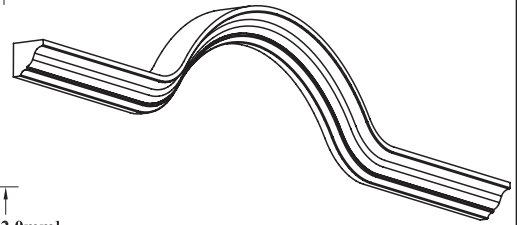
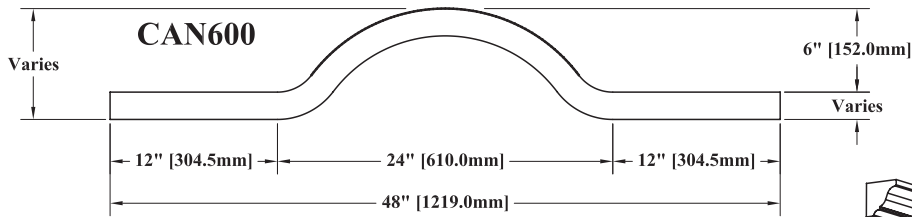
(Phone 7:00AM - 4:30PM CST) 1-800-237-1326

(24 Hour Fax) 1-608-781-3667

# Canopy Moldings

*"Outstanding quality at competitive prices!"*

## Canopy Styles



WalzCraft®



(Phone 7:00AM - 4:30PM CST) 1-800-237-1326

(24 Hour Fax) 1-608-781-3667

# Canopy Moldings

*"Please contact our Non-Catalog Team for assistance with this product line!"*

## Canopy Molding with Matching Crown Molding

**#1358**  
PC: M101  
Sq Ft: 1.18  
Matching Crown Molding

**#2310**  
PC: M103  
Sq Ft: .83  
Matching Crown Molding

**#2262**  
PC: M107 + Charge for Assembly  
Sq Ft: 4.54  
Price Class applies to straight stock molding only  
*Two pieces, assembled by WalzCraft.*

(2261) (2260)

**#2179**  
PC: M106  
Sq Ft: 1.30  
Price Class applies to straight stock molding only

**#942**  
PC: M101  
Sq Ft: 1.89  
Matching Crown Molding  
45°

**#2253**  
PC: M103  
Sq Ft: 3.32  
38°

(2179) (2174)

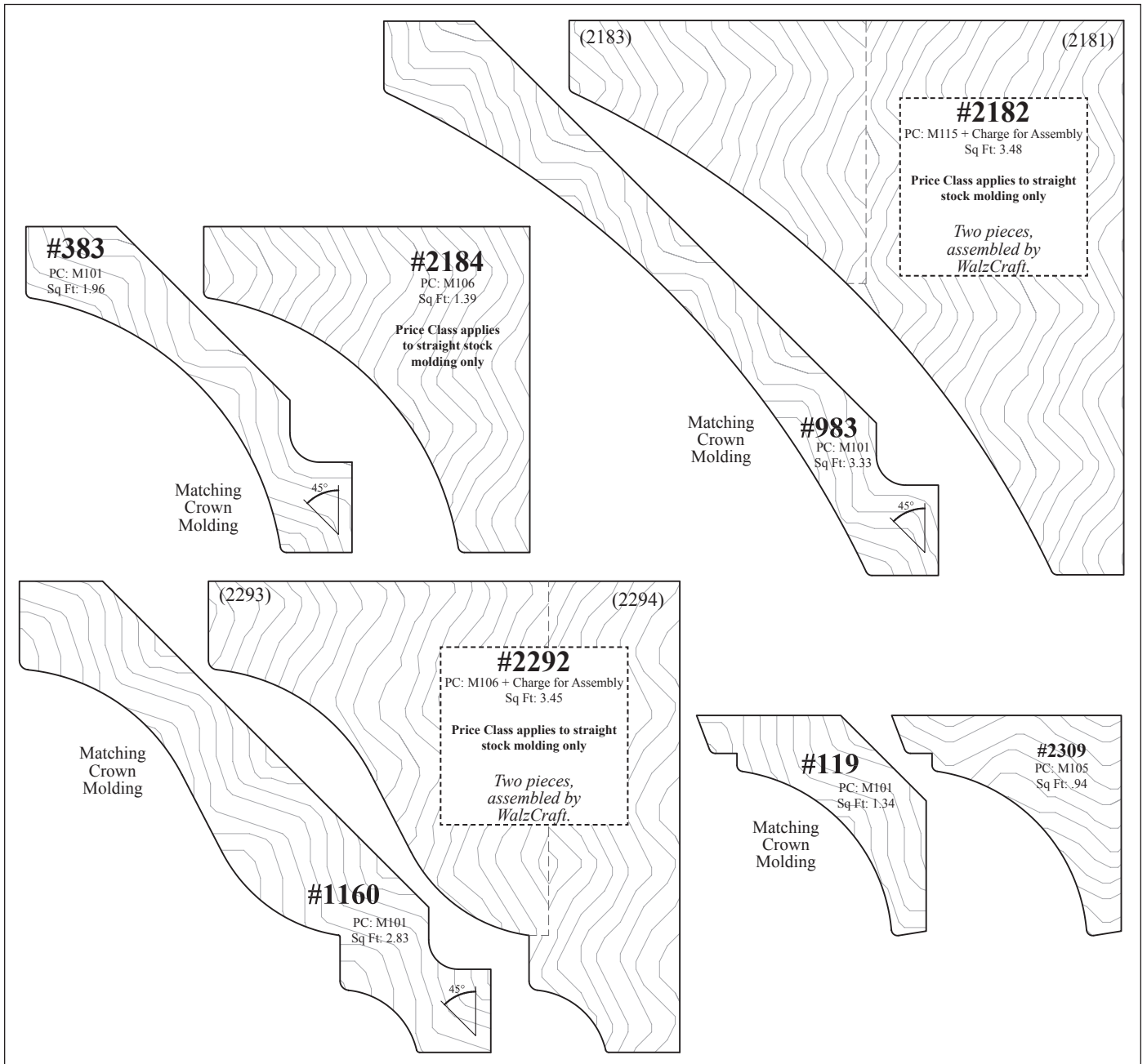
**#2175**  
PC: M111 + Charge for Assembly  
Sq Ft: 3.91  
Price Class applies to straight stock molding only  
*Two pieces, assembled by WalzCraft.*

**#1860**  
PC: M101  
Sq Ft: 3.74  
Matching Crown Molding  
45°

# Canopy Moldings

*"America's Finest Cabinet Door Maker!"*

## Canopy Molding with Matching Crown Molding



### Canopy Styles/Molding Notes

1) <b>Molding Options</b>	Only available with the 2175, 2179, 2182, 2184, 2262, 2292, 2309 or 2310 Canopy Molding Profiles.
	These canopy moldings and their matching crown moldings are also available in straight 8' lengths to use throughout your project. Both 8' straight stock molding profiles are shown.
2) <b>Standard Dimensions</b>	The straight portion on each end of these Canopy Styles is 12" with an overall width of 48".
3) <b>Pricing</b>	Contact our Non-Catalog Team for pricing.
4) <b>Design Variations</b>	Additional charges apply for variations in design.
5) <b>Ordering</b>	1) Select the Canopy Style Number. 2) Select the Canopy Molding Profile (2175, 2179, 2182, 2184, 2262, 2292, 2309 or 2310).